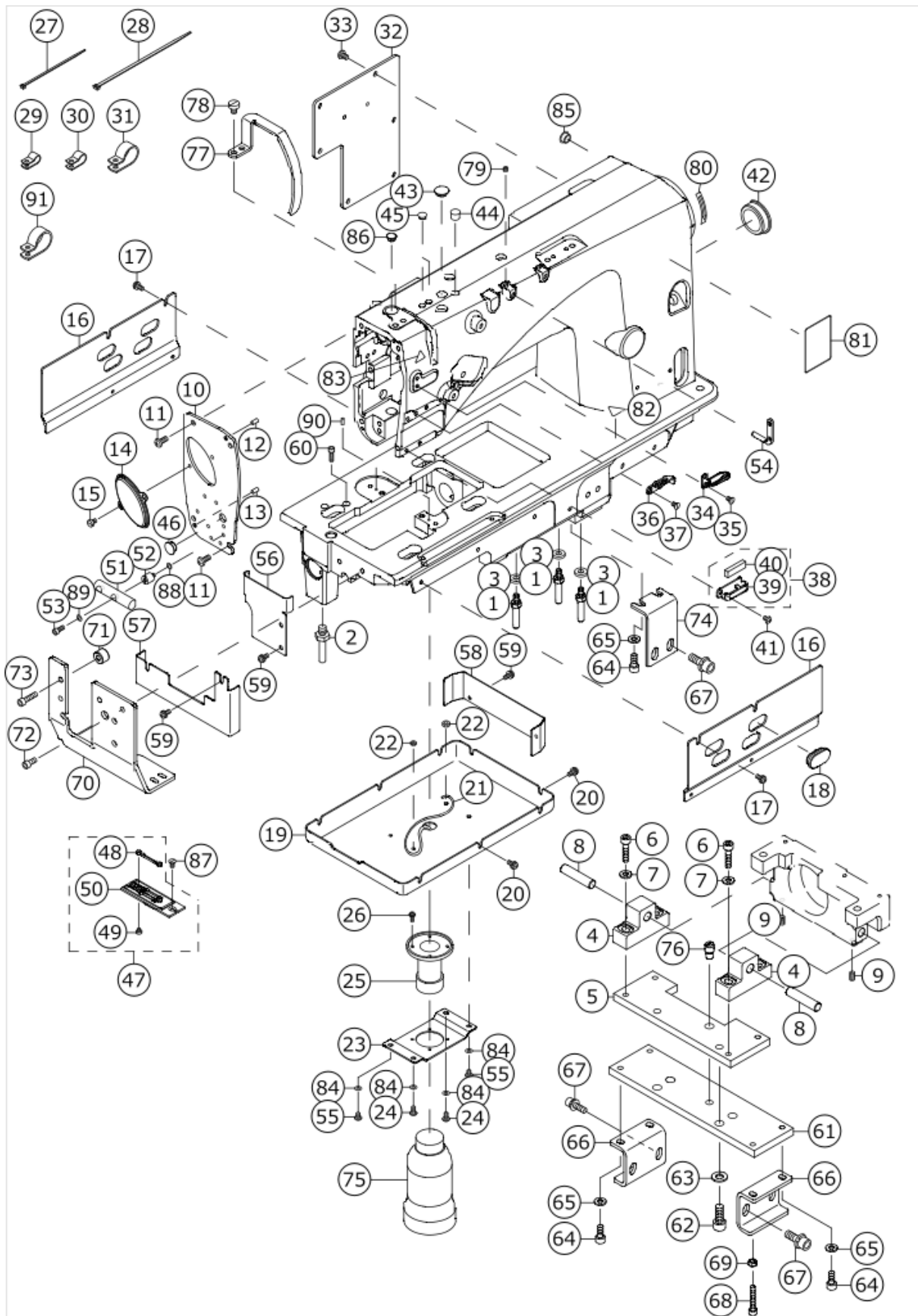


# APW-895NE/IP-420

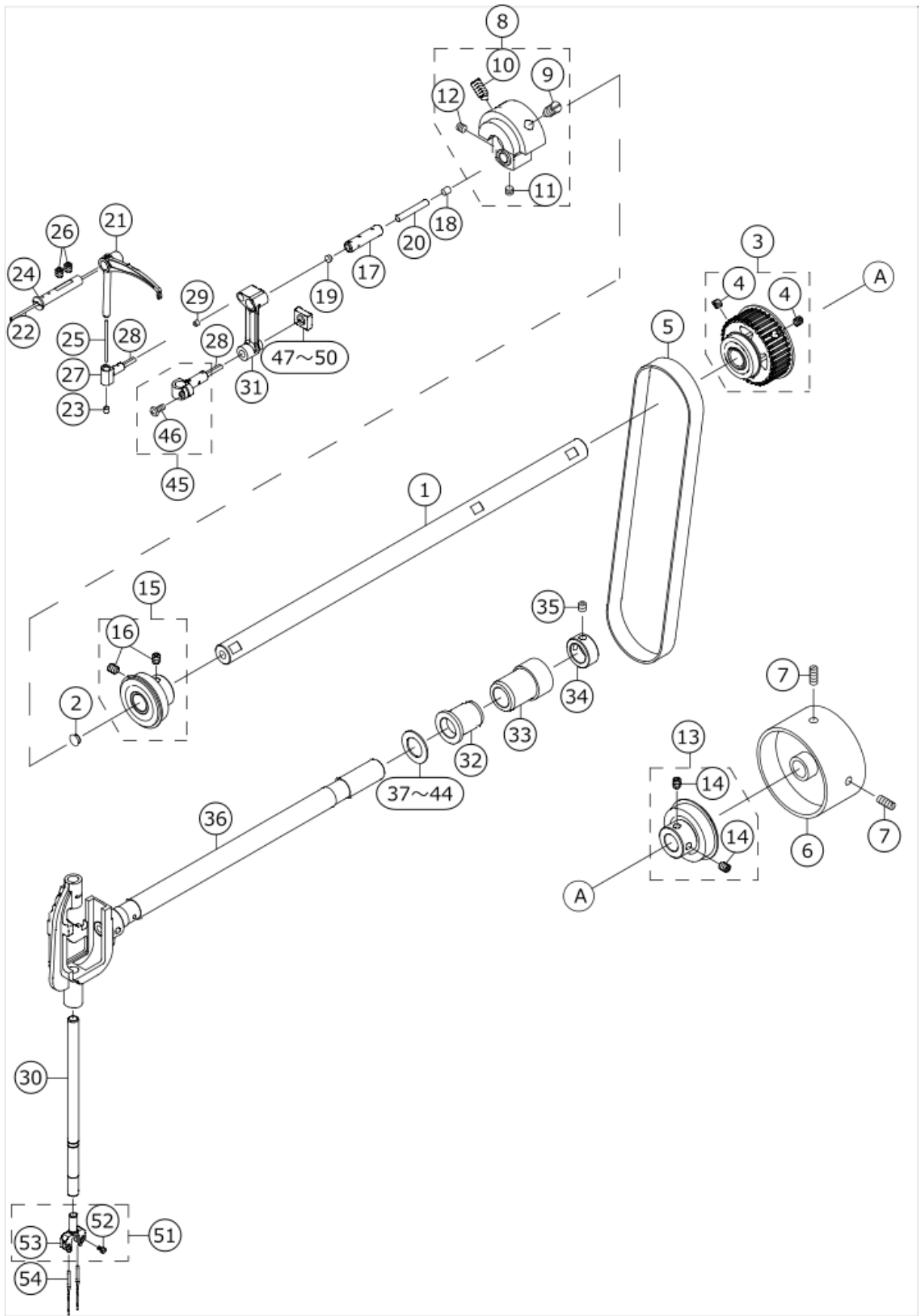
## FRAME & MISCELLANEOUS COVER COMPONENTS



No.	品番	品名	備考	子部品	消耗品	個数
1	40028555	STUD				3.00
2	40035180	BED_SCREW_STUD_B				1.00
3	40036690	WASHER				3.00
4	40033410	HEAD_BASE_A				2.00
5	40034481	HEAD_BASE_PLATE_B				1.00
6	SM6062502TN	HEXAGONAL-HOLE BOLT				4.00
7	WP0641601SC	WASHER				4.00
8	40033825	HEAD_FIXED_SHAFT				2.00
9	SM8051002TP	SCREW M5 L=10				2.00
10	40025640	FACE_PLATE_A				1.00
11	SM4050855SP	SCREW				4.00
12	PS0400082KP	SPRING PIN				1.00
13	PS0400082KP	SPRING PIN				1.00
14	40025641	FACE_PLATE_B				1.00
15	SM6040650TP	SCREW				2.00
16	40033441	OIL_COVER_A				2.00
17	SL4041091SC	SCREW M4 L=10				6.00
18	40028877	FACE_COVER_CAP				4.00
19	40033442	OIL_COVER_B				1.00
20	SL4041091SC	SCREW M4 L=10				6.00
21	CQ202000000	OIL WICK				1.00
22	NM6040003SC	NUT M4				1.00
23	40033443	OIL_MANAGEMENT_BRACKET				1.00
24	SM4040855SP	SCREW				5.00
25	B8202205000	OIL MANAGEMENT				1.00
26	SL4031081SC	SCREW M3 L=10				4.00
27	EA9500B0100	CABLE BAND				15.00
28	EA9500B0200	CABLE BAND 150				5.00
29	HX00150000C	CABLE CLIP				2.00
30	HX00150000D	CABLE CLIP				4.00
31	HX00150000K	CABLE CLIP				2.00
32	40028766	REAR_PLATE				1.00
33	SM4050855SP	SCREW				5.00
34	40029078	THREAD_GUIDE_UPPER				1.00
35	SM1040750TP	SCREW M4 L=7				1.00
36	40039765	THREAD_GUIDE_M				1.00
37	SM1040750TP	SCREW M4 L=7				1.00
38	40031060	THREAD_GUIDE_F_ASM.				1.00
39	40033821	THREAD_GUIDE_F		*		1.00
40	40034444	FELT		*		1.00
41	SM4040655SP	SCREW M4 L=6				1.00
42	22619100	CAP				1.00
43	TA1250406R0	RUBBER PLUG D=12.5 L=4				4.00
44	TA0950806R0	RUBBER PLUG				1.00
45	TA0750704R0	RUBBER PLUG				2.00
46	TA1050504R0	RUBBER PLUG				1.00
47	40046301	NEEDLE_PLATE_10_ASM.				1.00
48	16403008	CONTER KNIFE RIGHT		*		1.00
49	SS6080320SP	SCREW 1/8-44 L=2.5		*		2.00
50	40078201	NEEDLE_PLATE_10		*		1.00

51	40026344	ROCK_SHAFT				1.00
52	40069615	FEED_BASE_SPACER				2.00
53	SM6041002TP	SCREW M4 L=10				2.00
54	22920706	TWO EYELET				2.00
55	SM4040655SP	SCREW M4 L=6				2.00
56	40042292	BED_OIL_COVER_A				1.00
57	40042293	BED_OIL_COVER_B				1.00
58	40042294	BED_OIL_COVER_C				1.00
59	SL4041091SC	SCREW M4 L=10				6.00
60	SM6041402TN	SCREW M4X0.7 L=14				2.00
61	40034482	HEAD_BASE_PLATE_A				1.00
62	SM6082002TN	SCREW M8 L=20				4.00
63	WP0841601SC	WASHER 8.4X17.4X1.6				4.00
64	SM6061402TN	BOLT				6.00
65	WP0641601SC	WASHER				6.00
66	40038253	FIXING_PLATE				2.00
67	SL6082092TN	BOLT				6.00
68	SM6053052TN	SCREW				4.00
69	NM6050001SC	NUT M5				4.00
70	40034480	HEAD_FRONT_BASE				1.00
71	40033444	FRONT_BASE_SPACER				2.00
72	SM6051400SP	SCREW				2.00
73	SM6052010SC	SCREW M5X0.8 L=20				2.00
74	40034479	HEAD_ROCK_PLATE				1.00
75	B9121012000	OIL CAN				1.00
76	40023180	FIXED_PIN				1.00
77	40028245	THREAD_TAKE_UP_LEVER_COVER				1.00
78	SM6060800SP	SCREW M6 L=8				1.00
79	SM8050412TP	SCREW M5 L=4				2.00
80	CM500300001	DIRECTION LABEL				1.00
81	CM301200001	SAFETY LABEL_S				1.00
82	CM300200002	CAUTION LABEL(25)				1.00
83	CM300200001	ATTENTION SEAL				1.00
84	WP0430800SD	WASHER M4				4.00
85	TA1050504R0	RUBBER PLUG				1.00
86	TA0800504R0	PLUG D=8 L=4.5				1.00
87	SM1040870TP	SCREW				2.00
88	WP0501016SD	WASHER 5X10.5X1				2.00
89	WP0450846SP	WASHER				2.00
90	PH0300085S0	PIN				2.00
91	HX00150000L	CABLE CLIP				2.00

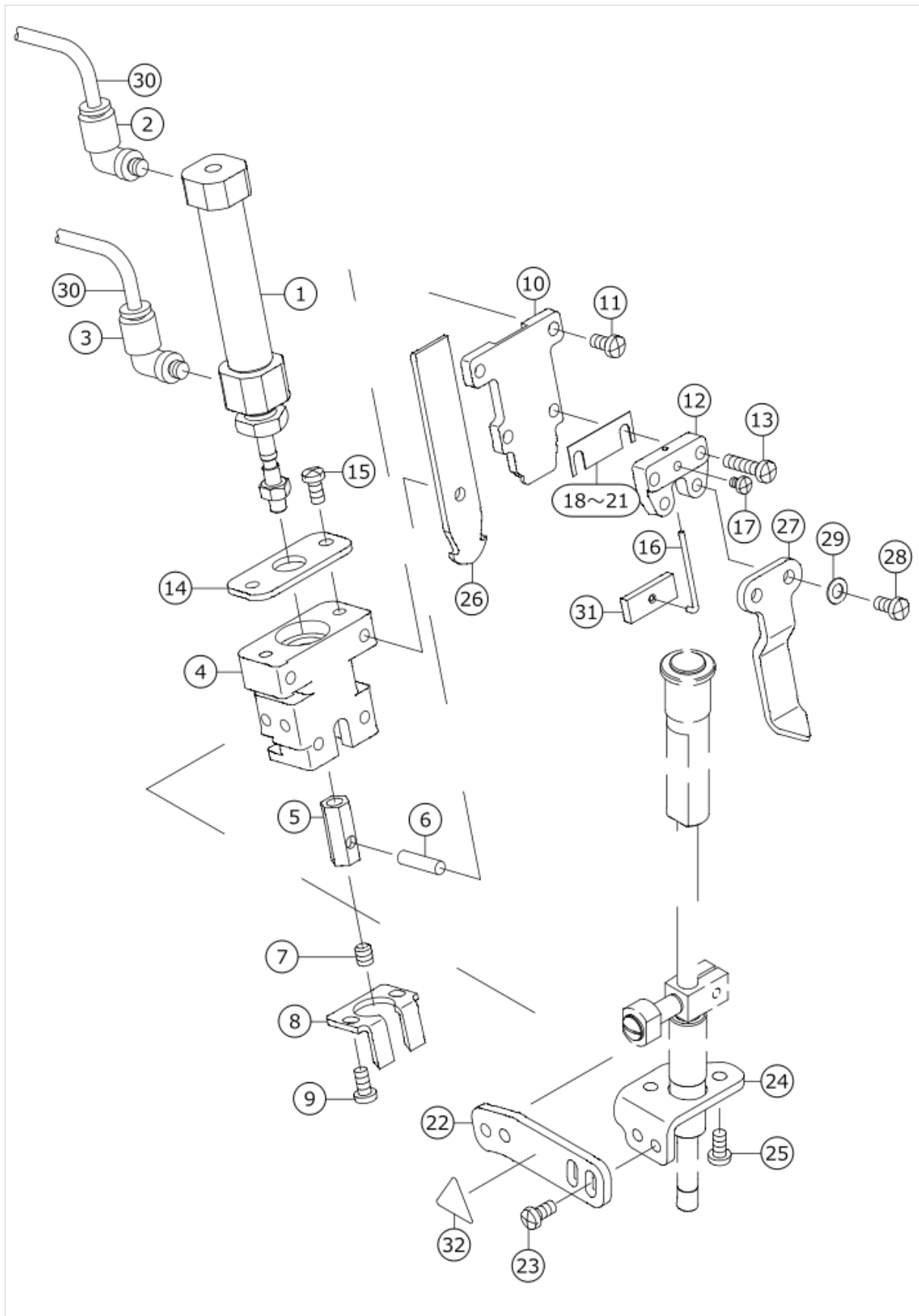
# MAIN SHAFT & THREAD TAKE-UP LEVER COMPONENTS



No.	品番	品名	備考	子部品	消耗品	個数
1	40024436	MAINSHAFT				1.00
2	TA0750404R0	PLUG D=7.5 L=3.5				1.00
3	40029048	ASSY_MAINSHAFT_BEARING_2				1.00
4	SM8060612TP	SCREW M6 L=6		*		4.00
5	40028652	TIMING_BELT				1.00
6	40050540	HAND_WHEEL				1.00
7	SM8061550TP	SCREW M6 L=15				2.00
8	40031864	ASSY_COUNTER_WEIGHT				1.00
9	40004171	COUNTER_WEIGHT_SCREW		*		1.00
10	SM8081652TP	SCREW M8 L=16		*		1.00
11	SM8060552TP	SCREW M6 L=5		*		1.00
12	SM8060612TP	SCREW M6 L=6		*		1.00
13	40029049	ASSY_MAINSHAFT_BEARING_3				1.00
14	SM8060812TP	SCREW M6 L=8		*		2.00
15	40029047	ASSY_MAINSHAFT_BEARING				1.00
16	40010417	BEARING_BUSH_SCREW		*		2.00
17	40029964	NEEDLE_BAR_CRANK_PIN				1.00
18	TA0490601R0	PLUG D=4.9X5.5 L=6				1.00
19	TA0500301R0	PLUG 5X5.8 L=3				1.00
20	CQ303000000	OIL WICK				0.02
21	40041107	TAKE_UP_LEVER_E				1.00
22	CQ202000000	OIL WICK				0.04
23	22810907	RUBBER PLUG				1.00
24	22605307	THREAD TAKE-UP LEVER PIN				1.00
25	CQ202000000	OIL WICK				0.15
26	SM8060612TP	SCREW M6 L=6				2.00
27	40027951	TAKE_UP_LEVER_THRUST_PIN				1.00
28	CQ252000000	OIL WICK				0.02
29	TA0370301R0	PLUG D=3.7X4.4 L=3				1.00
30	40033463	NEEDLE_BAR				1.00
31	40022110	NEEDLE_BAR_CRANK_ROD				1.00
32	40023568	BUSHING				1.00
33	40023569	BUSHING				1.00
34	CS1701181TP	THRUST COLLAR D=17 W=11				1.00
35	SM8060612TP	SCREW M6 L=6				2.00
36	40026395	NEEDLE_BAR_ROCKING_BASE_ASM.				1.00
37	B1438512B00	WASHER 17.1X28X1.5	SELECTIVE PARTS			1.00
38	22606206	SPACER Y	SELECTIVE PARTS			1.00
39	22606305	SPACER Z	SELECTIVE PARTS			1.00
40	22607600	SPACER A	SELECTIVE PARTS			1.00
41	22607709	SPACER B	SELECTIVE PARTS			1.00
42	22607808	SPACER D	SELECTIVE PARTS			1.00
43	22607907	SPACER E	SELECTIVE PARTS			1.00

44	22606404	SPACER F	SELECTIVE PARTS			1.00
45	40031862	ASSY_NEEDLE_BAR_CONNECTION				1.00
46	SM4041055SP	SCREW		*		1.00
47	23204506	ROCKING ROD SQUARE BLOCK A	SELECTIVE PARTS			1.00
48	23204605	ROCKING ROD SQUARE BLOCK B	SELECTIVE PARTS			1.00
49	23204704	ROCKING ROD SQUARE BLOCK C	SELECTIVE PARTS			1.00
50	40065056	ROCKING ROD SQUARE BLOCK Z	SELECTIVE PARTS			1.00
51	40046314	NEEDLE_BAR_CLAMP_10_ASM.				1.00
52	SM6850400SP	SCREW M2.5 L=4		*		2.00
53	40033451	NEEDLE_BAR_CLAMP_10		*		1.00
54	MDP170B1600	NEEDLE DPX17 #16				2.00

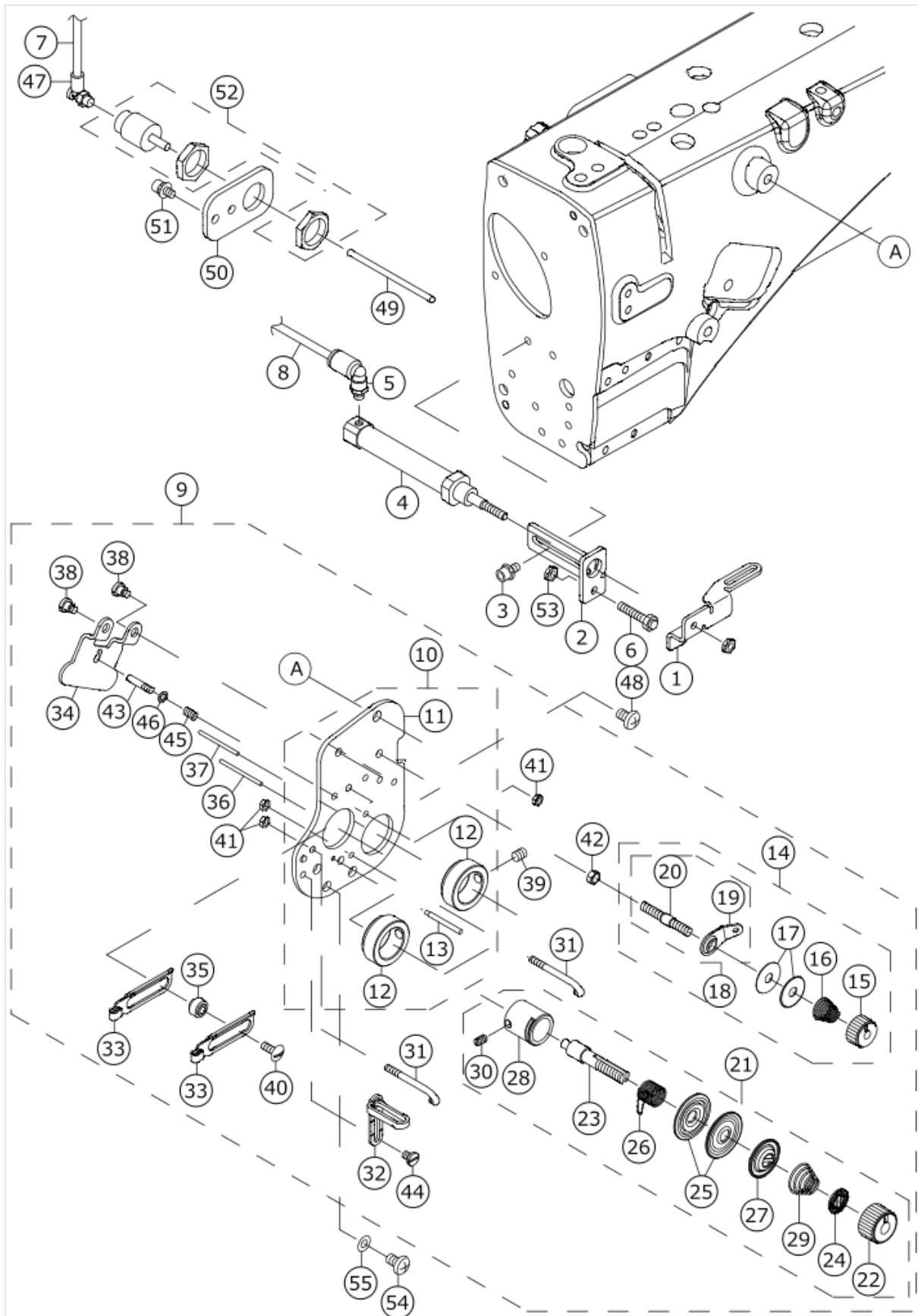
# NEEDLE THREAD TRIMMER COMPONENTS



No.	品番	品名	備考	子部品	消耗品	個数
1	PA1604005B0	ARI CYLINDER				1.00
2	PJ304040504	ELBOW UNION				1.00
3	PJ304040506	ELBOW UNION				1.00
4	40023016	UPPER_KNIFE_BASE				1.00
5	40033537	UPPER_KNIFE_JOINT				1.00
6	B1505804000	HINGE SHAFT				1.00
7	SM8050612TP	SCREW M5X6				1.00
8	16409906	NEEDLE THREAD COUNTER KNIFE				1.00
9	SM4040855SP	SCREW				2.00
10	40023019	UPPER_KNIFE_GUIDE				1.00
11	SM4040855SP	SCREW				2.00
12	40023017	UPPER_KNIFE_CLAMP_BASE				1.00
13	SM4041655SP	SCREW M4 L=16				2.00
14	40023018	UPPER_KNIFE_PLATE				1.00
15	SM4040855SP	SCREW				2.00
16	40033816	CLAMP_SPRING				1.00
17	SM4030455SP	SCREW				1.00
18	16410607	SPACER 0.2	SELECTIVE PARTS			1.00
19	16410706	SPACER 0.4	SELECTIVE PARTS			1.00
20	16410805	SPACER 0.6	SELECTIVE PARTS			1.00
21	16410904	SPACER 0.8	SELECTIVE PARTS			1.00
22	40026152	UPPER_THREAD_TRIMMER_PLATE				1.00
23	SM4040855SP	SCREW				4.00
24	40026153	UPPER_THREAD_TRIMMER_BASE				1.00
25	SM4040855SP	SCREW				2.00
26	40023020	UPPER_KNIFE_10_12				1.00
27	40026151	CLOTH_SPREADER				1.00
28	SM4040855SP	SCREW				2.00
29	WP0450000SD	WASHER 4.5X8X0.5				2.00
30	BT0400251EB	URETHANE HOSE BLACK				2.00
31	40033815	CLAMP_PLATE				1.00
32	CM300200001	ATTENTION SEAL				1.00



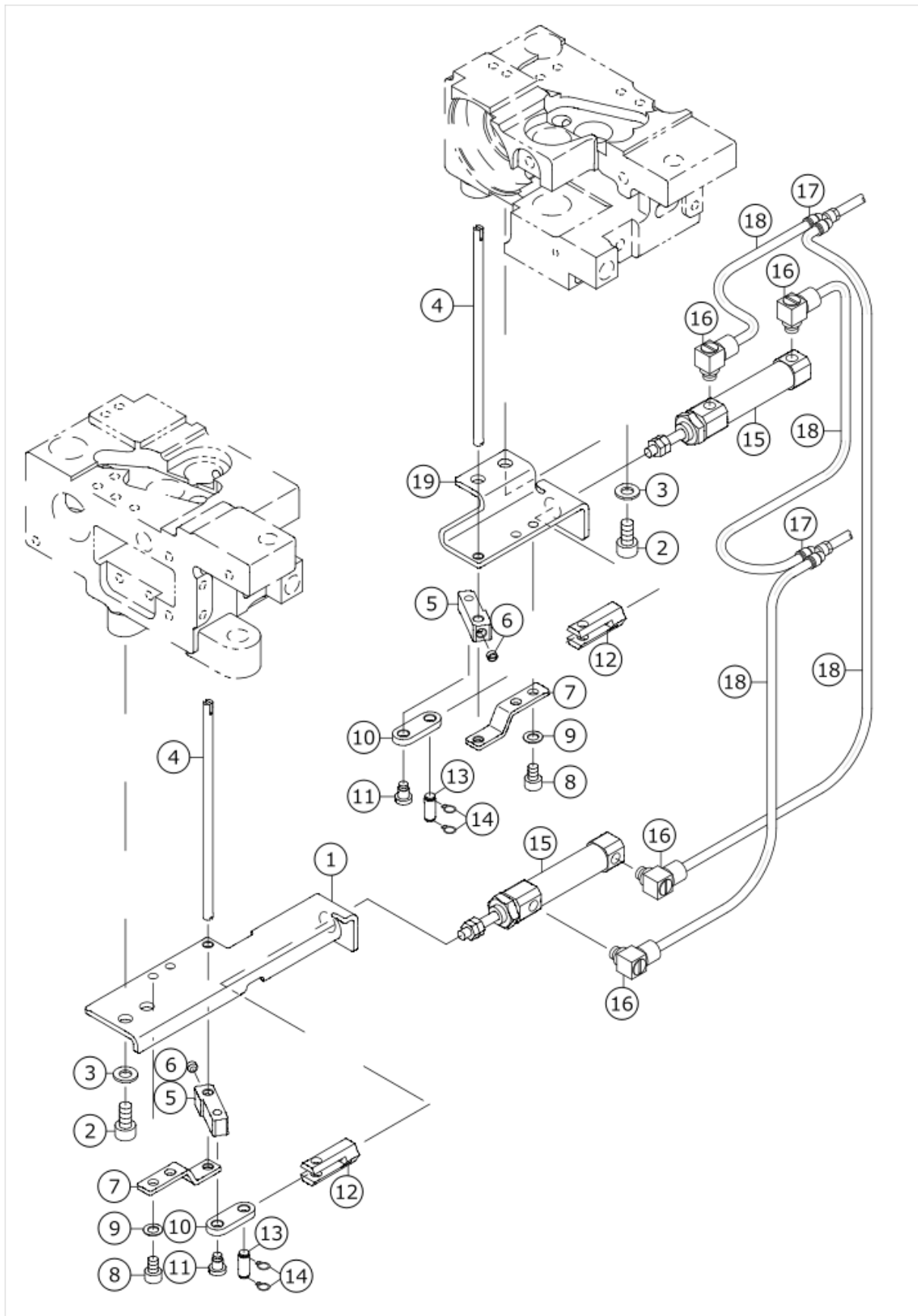
# THREAD TENSION & WIPER COMPONENTS



No.	品番	品名	備考	子部品	消耗品	個数
1	40025634	WIPER				1.00
2	40025635	WIPER_CYLINDER_BASE				1.00
3	SL6040892TN	BOLT				2.00
4	PA1002506A0	CYLINDER				1.00
5	PJ304040506	ELBOW UNION				1.00
6	40044963	STOPPER_BOLT				1.00
7	BT0400251EB	URETHANE HOSE BLACK				3.00
8	BT0400251EB	URETHANE HOSE BLACK				3.00
9	40061321	COMP_THREAD_TENSION				1.00
10	40028250	ASSY_TENSION_BASE_PLATE		*		1.00
11	40028251	TENSION_BASE_PLATE		*		1.00
12	40015697	THREAD_TENSION_BASE		*		2.00
13	40022463	THREAD_GUIDE_PIN		*		1.00
14	40052366	ASSY_THREAD_TENSION		*		2.00
15	11072402	THREAD TENSION NUT		*		1.00
16	22945505	THREAD TENSION SPRING		*		1.00
17	40080004	THREAD_TENSION_DISK		*		1.00
18	22529473	BOBBIN THREAD TENSION ROD ASM.		*		1.00
19	22529408	BOBBIN THREAD GUIDE		*		1.00
20	22529515	BOBBIN THREAD TENSION ROD		*		1.00
21	23626062	THREAD TENSION ASM. H		*		2.00
22	23626005	THREAD TENSION NUT		*		1.00
23	22921209	THREAD TENSION POST		*		1.00
24	22921407	ROTATION STOPPER		*		1.00
25	22921506	THREAD TENSION DISK		*		2.00
26	22921605	THREAD TAKE-UP SPRING		*		1.00
27	22921803	DISK STOPPER		*		1.00
28	22945307	THREAD TENSION POST BASE		*		1.00
29	22962005	THREAD TENSION SPRING		*		1.00
30	SS8090670SP	SCREW 9/64-40 L=5.5		*		1.00
31	B1118512000A	THREAD GUIDE A		*		2.00
32	22811301	THREAD GUIDE(UPPER) RIGHT		*		1.00
33	23203201	TAKE-UP THREAD GUIDE		*		2.00
34	40034660	DISK_RELEASE_PLATE		*		1.00
35	23203300	THREAD GUIDE COLLAR		*		2.00
36	B3118552I00	TENSION RELEASING PIN I		*		1.00
37	B3118552F00	TENSION RELEASING PIN		*		1.00
38	SD0470316TP	SHOULDER SCREW D=4.7 H=3.1		*		2.00
39	SM8050612TP	SCREW M5X6		*		2.00
40	SS5091020SP	SCREW 9/64-40 L=9.5		*		2.00
41	NS6080210SP	NUT 1/8-44		*		3.00
42	NS6110310SP	NUT 11/64-40		*		2.00
43	40015699	SPRING_GUIDE		*		1.00
44	SS6090520SP	SCREW 9/64-40 L=5.0		*		1.00
45	40009222	PRESSER PLATE ADJUSTING SPRING		*		1.00
46	WP0350516SD	WASHER 3.5X6X0.5		*		1.00
47	PJ304040506	ELBOW UNION				1.00
48	SM4050855SP	SCREW				1.00
49	40034974	TENSION_RELEASE_SHAFT				1.00
50	40025636	THREAD_TENSION_CYLINDER_BRACKET				1.00

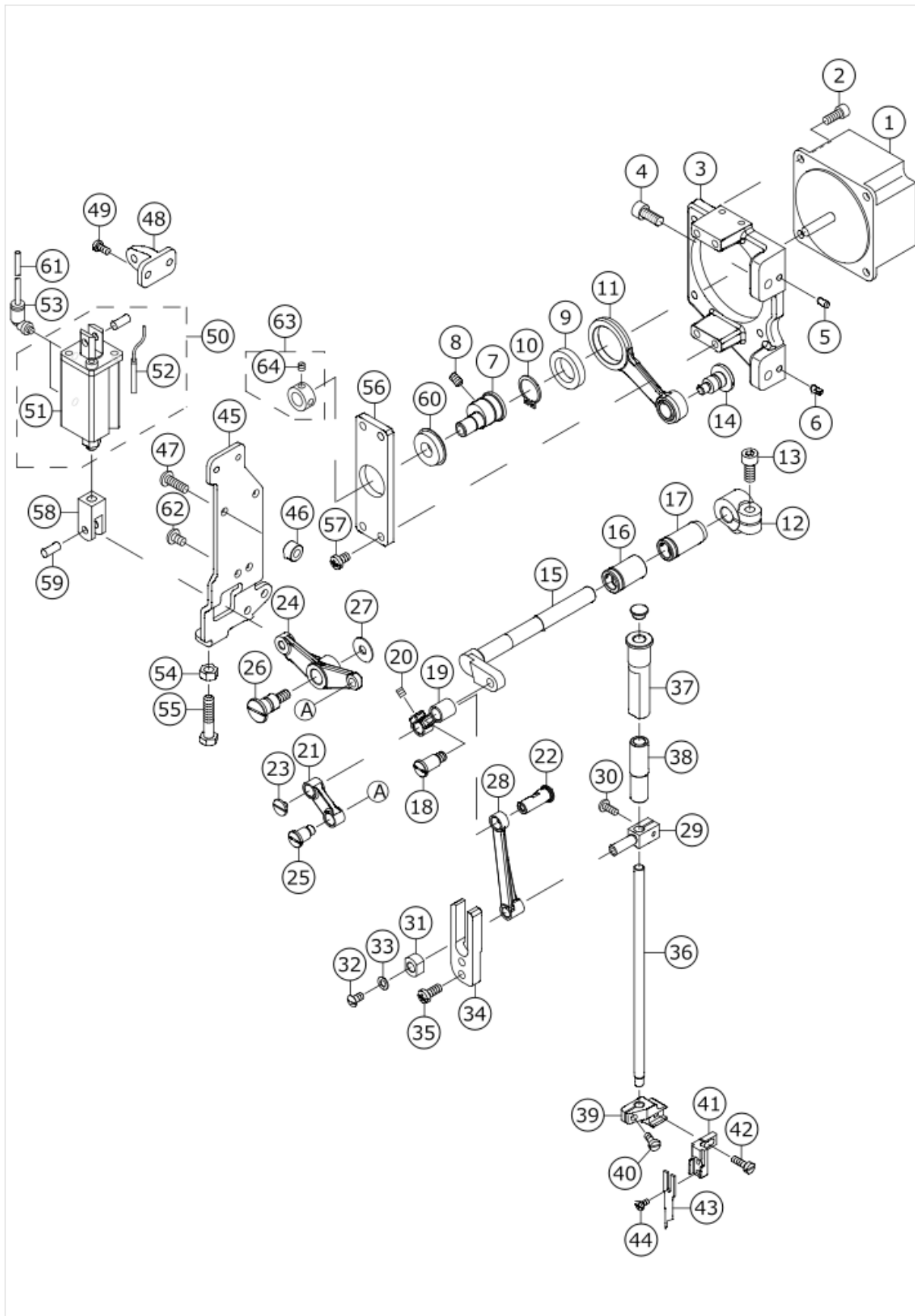
51	SL6041092TN	SCREW				2.00
52	PA1000512A0	AIR CYLINDER				1.00
53	NM6040001SC	NUT M4X0.7 TYPE1				1.00
54	SM4040855SP	SCREW				1.00
55	WP0430801SC	WASHER M4				1.00

# LOWER THREAD COMPONENTS



No.	品番	品名	備考	子部品	消耗品	個数
1	40025624	LOWER_KNIFE_BASE_L				1.00
2	SM6051002TP	SCREW M5X0.8 L=10				4.00
3	WP0531000SD	WASHER M5				4.00
4	40025646	LOWER_KNIFE				2.00
5	40025622	KNIFE_LINK_ARM				2.00
6	SM8040360TP	SCREW				2.00
7	40025623	KNIFE_PRESSER_BASE				2.00
8	SM6040602TP	SCREW M4 L=6				2.00
9	WP0450000SD	WASHER 4.5X8X0.5				2.00
10	40033420	LOWER_KNIFE_LINK				2.00
11	SD0450401SP	HINGE SCREW D=4.5 H=4				2.00
12	40025661	CYLINDER_JOINT				2.00
13	B3034450000	LINK PIN				2.00
14	B3035450000	SNAP RING				4.00
15	PA1001521A0	AIR CYLINDER				2.00
16	PJ046052503	HOSE ELBOW				4.00
17	PJ308040002	QUICK COUPLING				2.00
18	BT0400251EB	URETHANE HOSE BLACK				2.70
19	40025625	LOWER_KNIFE_BASE_R				1.00

# CENTER KNIFE COMPONENTS

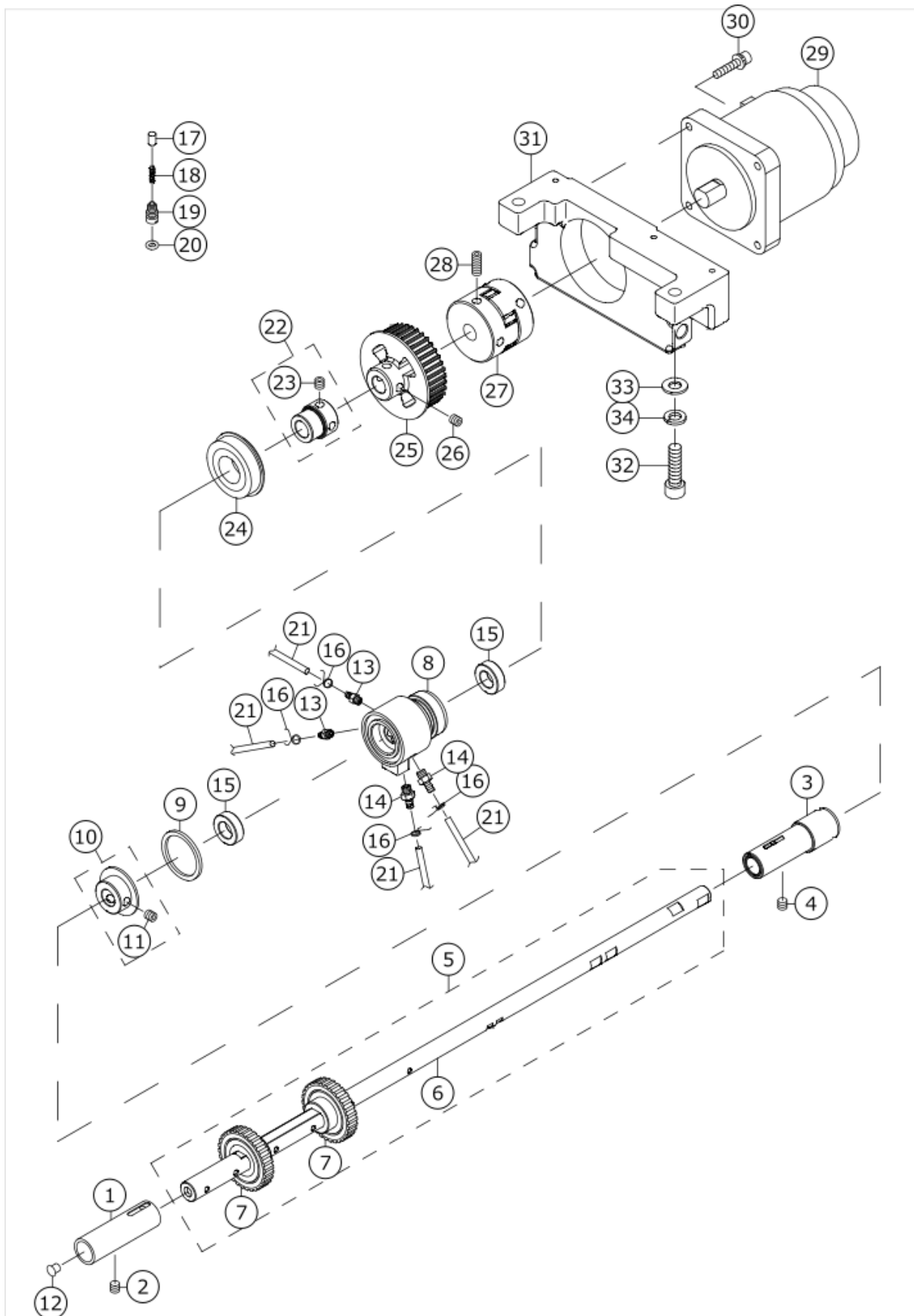


No.	品番	品名	備考	子部品	消耗品	個数
1	HM002290000	DC MOTOR				1.00
2	SM6051202TP	SCREW M5X0.8 L=12				4.00
3	40026167	MOTOR_BASE				1.00
4	SM6061402TP	SCREW M6 L=14				2.00
5	13302500	DOWEL PIN 2				1.00
6	13301908	DOWEL PIN				1.00
7	40023015	KNIFE_MOTOR_CAM				1.00
8	SM8050612TP	SCREW M5X6				1.00
9	SB1170008C0	BEARING				1.00
10	RC1700001KP	RETAINING RING				1.00
11	40023012	ASSY_CENTER_KNIFE_DRIVING_ROD				1.00
12	40026131	KNIFE_MOVING_ARM				1.00
13	SM6061402TP	SCREW M6 L=14				1.00
14	40026113	HINGE_SCREW_A				1.00
15	40026132	KNIFE_MOVING_SHAFT				1.00
16	40026133	KNIFE_MOVING_SHAFT_BUSHING_A				1.00
17	40026134	KNIFE_MOVING_SHAFT_BUSHING_B				1.00
18	40026114	HINGE_SCREW_B				1.00
19	40026126	KNIFE_LINK_A				1.00
20	SM8050612TP	SCREW M5X6				1.00
21	40026127	KNIFE_LINK_B				1.00
22	40026130	KNIFE_LINK_PIN				1.00
23	SM6040460TP	SCREW				1.00
24	40026129	KNIFE_LINK_D				1.00
25	40026115	HINGE_SCREW_C				1.00
26	40026116	HINGE_SCREW_D				1.00
27	40042089	THRUST WASHER				1.00
28	40026128	KNIFE_LINK_C				1.00
29	40069127	KNIFE_BAR_CLAMP				1.00
30	SM4041050TP	SCREW				1.00
31	40026136	SLIDE_BLOCK				1.00
32	SS5110810SP	SCREW 11/64-40 L=8				1.00
33	WP0480856SP	WASHER 4.8X8.4X0.8				1.00
34	40026137	SLIDE_BLOCK_GUIDE				1.00
35	SM4051255SP	SCREW M5 L=12				2.00
36	40026118	KNIFE_BAR				1.00
37	40026120	KNIFE_BAR_BUSHING_B				1.00
38	40026119	KNIFE_BAR_BUSHING_A				1.00
39	40026121	KNIFE_BASE_A				1.00
40	SM6041000SP	SCREW M4 L=10				1.00
41	40060721	KNIFE_BASE_B				1.00
42	SM6041200SP	SCREW M4 L=12				1.00
43	40026155	KNIFE_RIGHT_A				1.00
44	SM5030655SN	SCREW M3X0.5 L=6				2.00
45	40026109	CYLINDER_PLATE				1.00
46	40031059	CYLINDER_PLATE_SPACER				1.00
47	SM4051655SP	SCREW M5 L=16				1.00
48	40026111	CYLINDER_BLOCK				1.00
49	SM4040855SP	SCREW				2.00
50	40033538	CENTER_KNIFE_CYLINDER				1.00

51	PA1602012A0	AIR CYLINDER		*		1.00
52	40044626	AIRCYLINDER SENSOR CN79A		*		1.00
53	PJ304040504	ELBOW UNION				2.00
54	NM6060001SC	NUT M6				1.00
55	SM6063002TP	SCREW M6 L=30				1.00
56	40033464	BEARING_PLATE				1.00
57	SM4051255SP	SCREW M5 L=12				4.00
58	PA900011000	KNUCKLE JOINT FOR CYLINDER				1.00
59	PX5000280A0	PIN				1.00
60	SB1100012C0	BEARING				1.00
61	BT0400251EB	URETHANE HOSE BLACK				2.20
62	SM4050855SP	SCREW				5.00
63	CS0950810SH	THRUST COLLAR ASM. D=9.5 W=8				1.00
64	SS8110410TP	SCREW 11/64-40 L=3.5		*		2.00

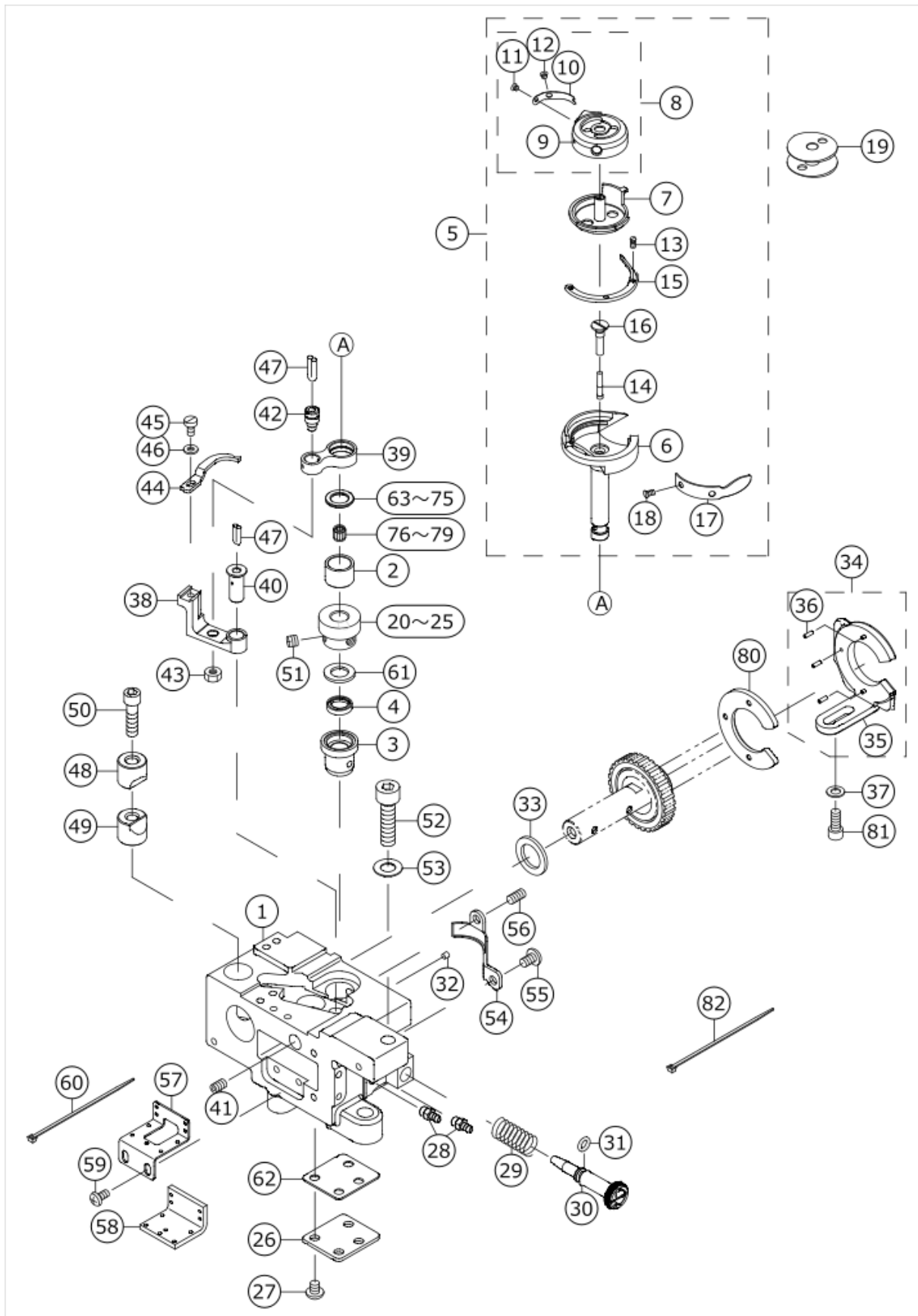


# LOWER SHAFT COMPONENTS



No.	品番	品名	備考	子部品	消耗品	個数
1	40020547	LOWER_SHAFT_BUSH-F				1.00
2	SM8060612TP	SCREW M6 L=6				1.00
3	40017576	ASSY-LOWER_SHAFT_BUSH-M				1.00
4	SM8060612TP	SCREW M6 L=6				1.00
5	40062486	ASSY_LOWER_SHAFT				1.00
6	40038858	LOWER_SHAFT_D		*		1.00
7	40062317	LOWER_SHAFT_GEAR		*		2.00
8	40011947	LOWER_PLUNGER_BUSH				1.00
9	40013061	THRUST_WASHER				1.00
10	40031351	ASSY_LOWER_SHAFT_COLLAR				1.00
11	SM8060612TP	SCREW M6 L=6		*		2.00
12	TA0550604R0	RUBBER PLUG				1.00
13	SQ2050453MZ	CONNECTING SCREW				2.00
14	SQ2060451MZ	CONNECTING SCREW				2.00
15	22888507	OIL SEAL				2.00
16	23629306	PIPE STOPPER A				4.00
17	23628803	PLUNGER				2.00
18	23628902	PLUNGER SPRING				2.00
19	40013509	PLUNGER_SCREW				2.00
20	RO048190100	RUBBER RING				2.00
21	23630007	TUBE				1.00
22	40033666	BEARING_SUPPORT_ASM.				1.00
23	SM8060612TP	SCREW M6 L=6		*		2.00
24	SB1200002C0	BEARING				1.00
25	40028117	LOWER_SPROCKET				1.00
26	SM8060612TP	SCREW M6 L=6				2.00
27	40025613	COUPLING				1.00
28	SM8061612TP	SCREW M6X16				4.00
29	40138137	IPM550W MOTOR				1.00
30	SL6052592TN	BOLT				4.00
31	40033413	MOTOR_BASE				1.00
32	SM6083002TN	SCREW M8 L=30				2.00
33	WP0841601SC	WASHER 8.4X17.4X1.6				2.00
34	WS0820002KN	SPRING WASHER M8				2.00

# HOOK DRIVING SHAFT LEFT COMPONENTS

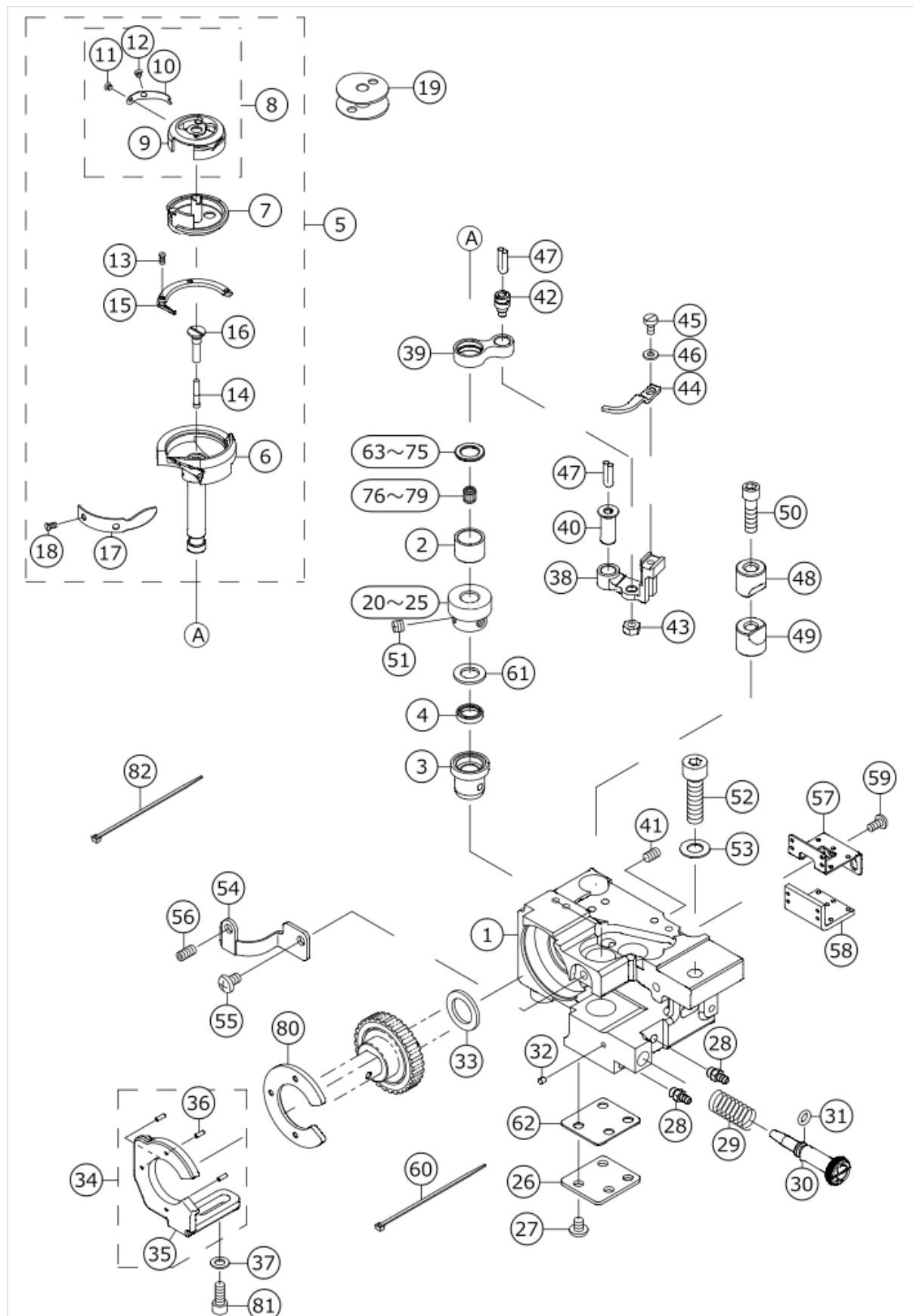


No.	品番	品名	備考	子部品	消耗品	個数
1	40025605	LAGE_HOOK_SHAFT_BASE_L				1.00
2	40025660	HOOK_UPPER_BUSH				1.00
3	40025616	HOOK_LOWER_BUSH				1.00
4	B1631850000	OIL SEAL				1.00
5	40039741	ASSY-LARGE_HOOK				1.00
6	40018977	OUTER_HOOK(L)		*		1.00
7	40034303	CAP_INNERHOOK		*		1.00
8	40033433	ASSY_BOBBIN_CASE		*		1.00
9	40033423	BOBBIN_CASE		*		1.00
10	22827406	SPRING(0.3)		*		1.00
11	10110500	TENSION SPRING INSTALLING SCREW		*		1.00
12	10110609	TENSION ADJUSTING SCREW		*		1.00
13	10112803	SCREW		*		3.00
14	11015906	OIL WICK		*		1.00
15	40042656	HOOK_GIB(L) / n		*		1.00
16	40012085	OIL_PLUG		*		1.00
17	22813703	NEEDLE POSITIONER		*		1.00
18	22814008	SCREW		*		2.00
19	10231603	BOBBIN				1.00
20	40028560	HOOK_SHAFT_GEAR A	SELECTIVE PARTS			1.00
21	40028561	HOOK_SHAFT_GEAR B	SELECTIVE PARTS			1.00
22	40028562	HOOK_SHAFT_GEAR C	SELECTIVE PARTS			1.00
23	40028563	HOOK_SHAFT_GEAR D	SELECTIVE PARTS			1.00
24	40040549	HOOK_SHAFT_GEAR E	SELECTIVE PARTS			1.00
25	40040550	HOOK_SHAFT_GEAR F	SELECTIVE PARTS			1.00
26	40022590	BOTTOM_COVER_GASKET				1.00
27	SM4050855SP	SCREW				4.00
28	SQ2050453MZ	CONNECTING SCREW				2.00
29	40016748	OIL_ADJUSTING_SCREW				1.00
30	40029570	OIL_ADJUSTING_SPRING				1.00
31	RO044240100	RUBBER RING				1.00
32	TA0290301M0	PLUG				6.00
33	40011009	GEAR_SPACER-A				1.00
34	40025354	ASSY-GEAR HOLDER_L				1.00
35	40025345	GEAR HOLDER_L		*		1.00
36	PS0200062KH	SPRING PIN 2X6		*		3.00
37	WP0550800SP	WASHER 5.5X10X0.8				2.00
38	40043311	OPENER_LEVER_CRANK_L				1.00
39	22813000	BOBBIN CASE OPENING LEVER LINK				1.00
40	B1823051000	OPENING LEVER CRANK PIN				1.00
41	SM8050812TP	SCREW M5X8				1.00
42	B1821051000	CRANK SCREW STUD				1.00
43	NS6110420SP	NUT 11/64-40				1.00
44	40052837	OPENING LEVER				1.00

45	SM67506A0TP	SCREW M3.5 L=6				1.00
46	WP0371016SD	WASHER 3.7X8X1				1.00
47	CQ252000000	OIL WICK				0.05
48	40032310	SADDLE_INSTALLING_BLOCK				1.00
49	40032309	SADDLE_INSTALLING_BLOCK				1.00
50	SS6152212SP	SCREW 15/64-28 L=22.0				1.00
51	SM8060550TP	SCREW M6 L=4.5				3.00
52	SM6083002TP	SCREW M8 L=30				1.00
53	WP0841600SD	WASHER M8				1.00
54	40018526	GEAR_COVER-L				1.00
55	SM4050855SP	SCREW				1.00
56	SM8051002TP	SCREW M5 L=10				1.00
57	40025662	GEAR_COVER_B				1.00
58	40025663	GEAR_FELT				1.00
59	SM4040855SP	SCREW				2.00
60	EA9500B0100	CABLE BAND				6.00
61	40054979	GEAR_THRUST_WASHER				1.00
62	40022589	BOTTOM_COVER				1.00
63	10112506	THRUST WASHER 1.6	SELECTIVE PARTS			1.00
64	10111201	THRUST WASHER F	SELECTIVE PARTS			1.00
65	10109809	THRUST WASHER B	SELECTIVE PARTS			1.00
66	10112605	THRUST WASHER 1.7	SELECTIVE PARTS			1.00
67	10112704	THRUST WASHER 1.8	SELECTIVE PARTS			1.00
68	10111003	THRUST WASHER 1.2	SELECTIVE PARTS			1.00
69	10111102	THRUST WASHER 1.3	SELECTIVE PARTS			1.00
70	22614002	THRUST WASHER A	SELECTIVE PARTS			1.00
71	22614101	THRUST WASHER B	SELECTIVE PARTS			1.00
72	22614200	SPACER C	SELECTIVE PARTS			1.00
73	22614309	SPACER D	SELECTIVE PARTS			1.00
74	22614408	SPACER E	SELECTIVE PARTS			1.00
75	22614507	SPACER F	SELECTIVE PARTS			1.00
76	SB30953010A	NEEDLE BEARING	SELECTIVE PARTS			1.00
77	SB30953010B	NEEDLE BEARING	SELECTIVE PARTS			1.00
78	SB30953010C	NEEDLE BEARING	SELECTIVE PARTS			1.00
79	SB30953010D	NEEDLE BEARING	SELECTIVE PARTS			1.00

80	40025353	GEAR_SPACER-B				1.00
81	SM6051202TP	SCREW M5X0.8 L=12				2.00
82	EA9500B0000	CABLE BAND				4.00

# HOOK DRIVING SHAFT RIGHT COMPONENTS



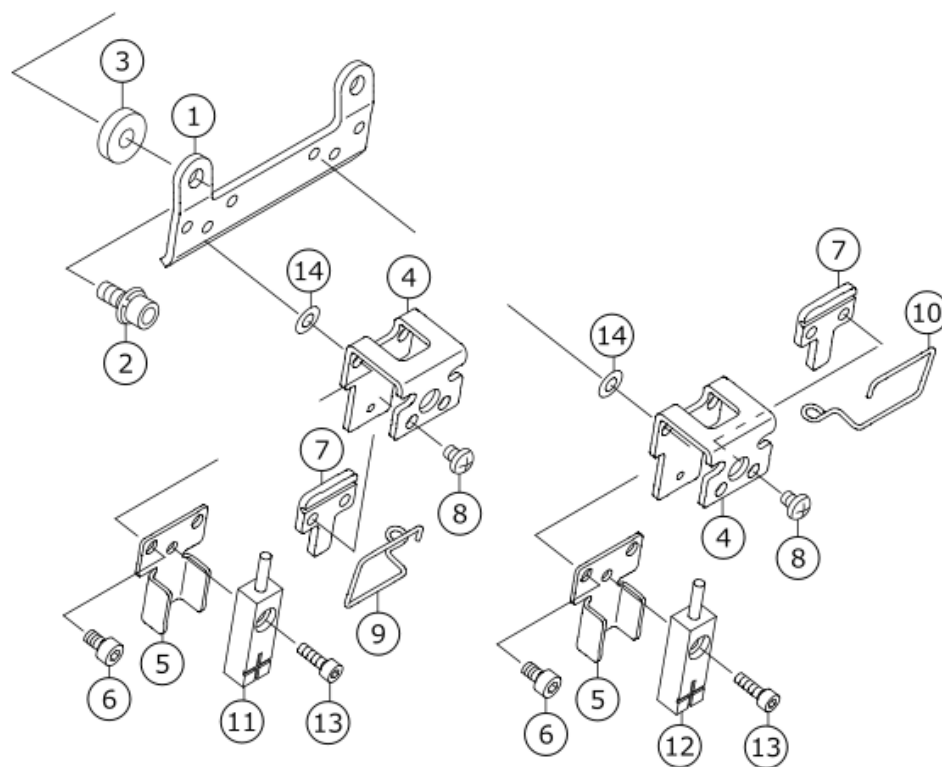
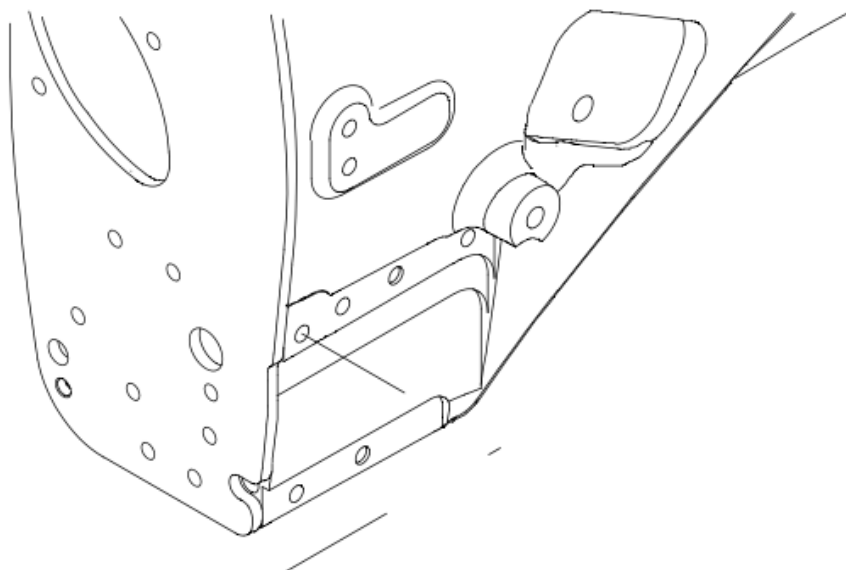
No.	品番	品名	備考	子部品	消耗品	個数
1	40025606	LAGE_HOOK_SHAFT_BASE_R				1.00
2	40025660	HOOK_UPPER_BUSH				1.00
3	40025616	HOOK_LOWER_BUSH				1.00
4	B1631850000	OIL SEAL				1.00
5	40039741	ASSY LARGE_HOOK				1.00
6	40018977	OUTER_HOOK (L)		*		1.00
7	40034303	CAP_INNERHOOK		*		1.00
8	40033433	ASSY_BOBBIN_CASE		*		1.00
9	40033423	BOBBIN_CASE		*		1.00
10	22827406	SPRING(0.3)		*		1.00
11	10110500	TENSION SPRING INSTALLING SCREW		*		1.00
12	10110609	TENSION ADJUSTING SCREW		*		1.00
13	10112803	SCREW		*		3.00
14	11015906	OIL WICK		*		1.00
15	40042656	HOOK_GIB (L) /n		*		1.00
16	40012085	OIL_PLUG		*		1.00
17	22813703	NEEDLE POSITIONER		*		1.00
18	22814008	SCREW		*		2.00
19	10231603	BOBBIN				1.00
20	40028560	HOOK_SHAFT_GEAR A	SELECTIVE PARTS			1.00
21	40028561	HOOK_SHAFT_GEAR B	SELECTIVE PARTS			1.00
22	40028562	HOOK_SHAFT_GEAR C	SELECTIVE PARTS			1.00
23	40028563	HOOK_SHAFT_GEAR D	SELECTIVE PARTS			1.00
24	40040549	HOOK_SHAFT_GEAR E	SELECTIVE PARTS			1.00
25	40040550	HOOK_SHAFT_GEAR F	SELECTIVE PARTS			1.00
26	40022590	BOTTOM_COVER_GASKET				1.00
27	SM4050855SP	SCREW				4.00
28	SQ2050453MZ	CONNECTING SCREW				2.00
29	40016748	OIL_ADJUSTING_SCREW				1.00
30	40029570	OIL_ADJUSTING_SPRING				1.00
31	RO044240100	RUBBER RING				1.00
32	TA0290301M0	PLUG				6.00
33	40011009	GEAR_SPACER A				1.00
34	40025355	ASSY-GEAR HOLDER_R				1.00
35	40025346	GEAR HOLDER_R		*		1.00
36	PS0200062KH	SPRING PIN 2X6		*		3.00
37	WP0550800SP	WASHER 5.5X10X0.8				2.00
38	40041109	OPENING_LEVER_CRANK_R				1.00
39	22813000	BOBBIN CASE OPENING LEVER LINK				1.00
40	B1823051000	OPENING LEVER CRANK PIN				1.00
41	SM8050812TP	SCREW M5X8				1.00
42	B1821051000	CRANK SCREW STUD				1.00
43	NS6110420SP	NUT 11/64-40				1.00
44	40052837	OPENING LEVER				1.00



45	SM67506A0TP	SCREW M3.5 L=6				1.00
46	WP0371016SD	WASHER 3.7X8X1				1.00
47	CQ252000000	OIL WICK				0.05
48	10109908	SADDLE INSTALLING BLOCK UPPER				1.00
49	10112407	SADDLE INSTALLING BLOCK LOWER				1.00
50	SS6152212SP	SCREW 15/64-28 L=22.0				1.00
51	SM8060550TP	SCREW M6 L=4.5				3.00
52	SM6083002TP	SCREW M8 L=30				1.00
53	WP0841600SD	WASHER M8				1.00
54	40018527	GEAR_COVER-R				1.00
55	SM4050855SP	SCREW				1.00
56	SM8051002TP	SCREW M5 L=10				1.00
57	40025662	GEAR_COVER_B				1.00
58	40025663	GEAR_FELT				1.00
59	SM4040855SP	SCREW				2.00
60	EA9500B0100	CABLE BAND				6.00
61	40054979	GEAR_THRUST_WASHER				1.00
62	40022589	BOTTOM_COVER				1.00
63	10112506	THRUST WASHER 1.6	SELECTIVE PARTS			1.00
64	10111201	THRUST WASHER F	SELECTIVE PARTS			1.00
65	10109809	THRUST WASHER B	SELECTIVE PARTS			1.00
66	10112605	THRUST WASHER 1.7	SELECTIVE PARTS			1.00
67	10112704	THRUST WASHER 1.8	SELECTIVE PARTS			1.00
68	10111003	THRUST WASHER 1.2	SELECTIVE PARTS			1.00
69	10111102	THRUST WASHER 1.3	SELECTIVE PARTS			1.00
70	22614002	THRUST WASHER A	SELECTIVE PARTS			1.00
71	22614101	THRUST WASHER B	SELECTIVE PARTS			1.00
72	22614200	SPACER C	SELECTIVE PARTS			1.00
73	22614309	SPACER D	SELECTIVE PARTS			1.00
74	22614408	SPACER E	SELECTIVE PARTS			1.00
75	22614507	SPACER F	SELECTIVE PARTS			1.00
76	SB30953010A	NEEDLE BEARING	SELECTIVE PARTS			1.00
77	SB30953010B	NEEDEL BEARING	SELECTIVE PARTS			1.00
78	SB30953010C	NEEDLE BEARING	SELECTIVE PARTS			1.00
79	SB30953010D	BEARING	SELECTIVE PARTS			1.00

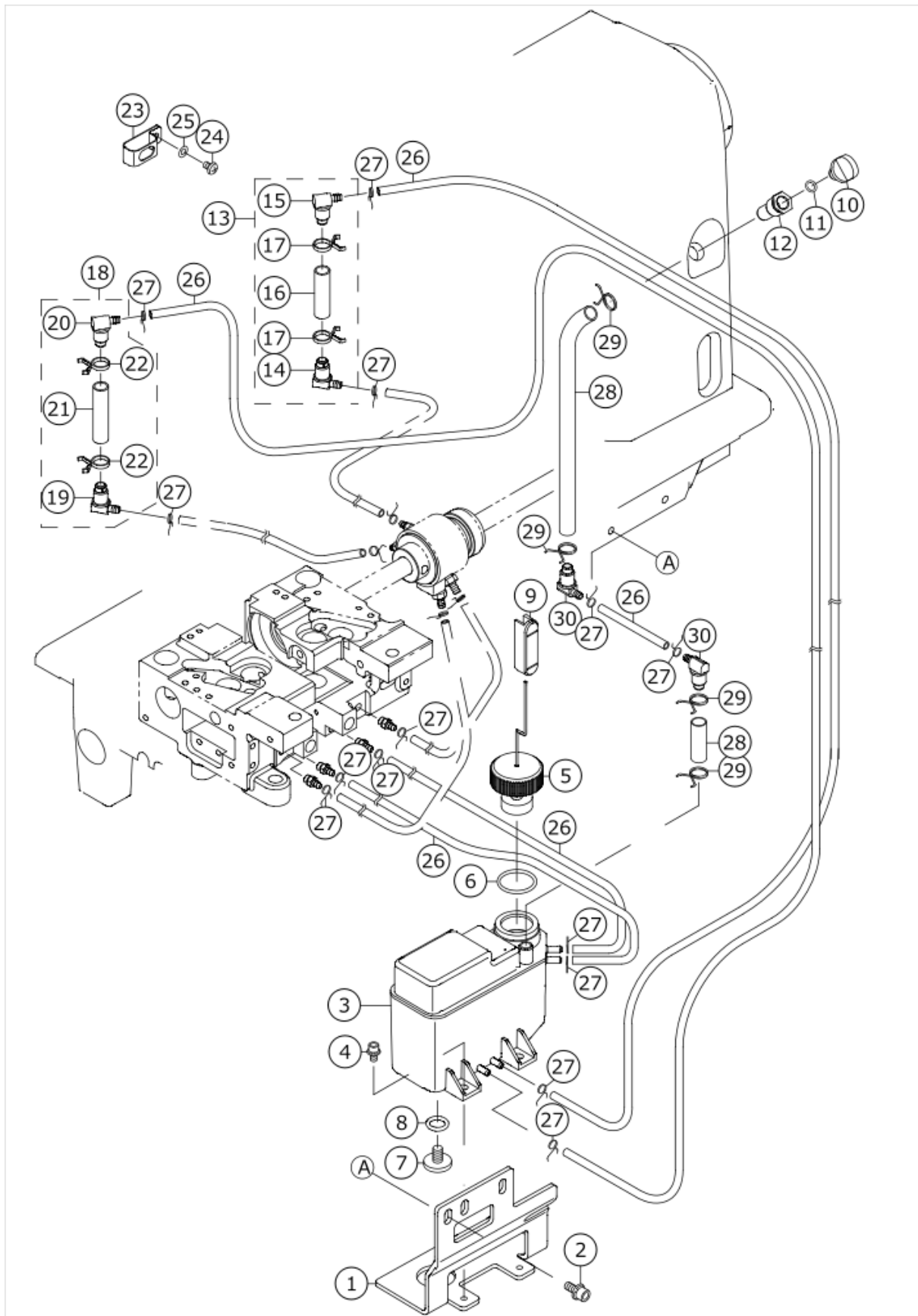
80	40025353	GEAR_SPACER_B				1.00
81	SM6051202TP	SCREW M5X0.8 L=12				2.00
82	EA9500B0000	CABLE BAND				4.00

# THREAD DETECTING COMPONENTS



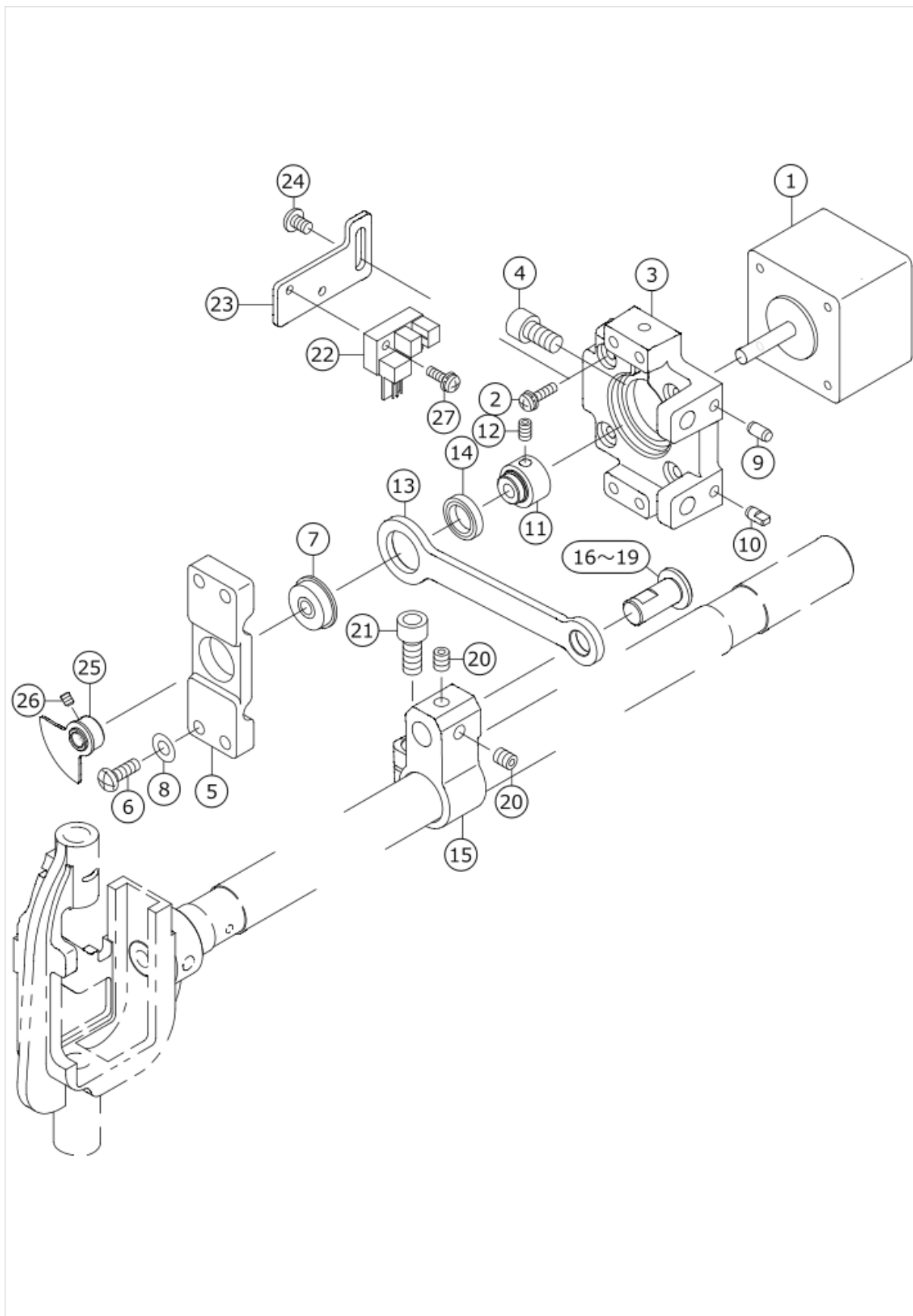
No.	品番	品名	備考	子部品	消耗品	個数
1	40025631	DETECTING_BASE				1.00
2	SL6041092TN	SCREW				2.00
3	MAO91003000	BSW PRESSER PLATE WASHER				2.00
4	40025632	SENSOR_BASE				2.00
5	40025633	SENSOR_GARDE				2.00
6	SM6030602TP	SCREW M3X0.5 L=6				4.00
7	40077597	DETECTING_BAR_GUIDE				2.00
8	SM4030455SP	SCREW				4.00
9	40077595	DETECTING_BAR_L				1.00
10	40077596	DETECTING_BAR_R				1.00
11	40043997	THREAD CHECK SENSOR ASM.(L)				1.00
12	40043996	THREAD CHECK SENSOR ASM.(R)				1.00
13	SM6850802TN	SCREW M2.5 L=8				2.00
14	WP0320500SC	WASHER M3				4.00

# LUBRICATION COMPONENTS



No.	品番	品名	備考	子部品	消耗品	個数
1	40033445	OIL_TANK_BASE				1.00
2	SL6051292TN	BOLT				2.00
3	40034926	OIL_TANK_ASM.				1.00
4	SL6040892TN	BOLT				2.00
5	40044679	ASSY_FLOTER				1.00
6	RO219200100	O-RING				1.00
7	40028689	SCREW				1.00
8	RO098240100	RUBBER RING				1.00
9	40036167	OIL_GAGE				1.00
10	40000344	LUBRICATING INLET CAP				1.00
11	RO048190100	RUBBER RING				1.00
12	40029075	LUBRICATING_INLET				1.00
13	40042287	ASSY_OIL_FILTER_R				1.00
14	23630650	OIL_FILTER_JOINT_ASM.		*		1.00
15	23630601	OIL FILTER JOINT		*		1.00
16	23630106	TUBE B		*		0.04
17	23629405	PIPE STOPPER B		*		2.00
18	40042286	ASSY_OIL_FILTER_L				1.00
19	23630650	OIL_FILTER_JOINT_ASM.		*		1.00
20	23630601	OIL FILTER JOINT		*		1.00
21	23630106	TUBE B		*		0.05
22	23629405	PIPE STOPPER B		*		2.00
23	40016749	TUBE HOLDER				1.00
24	SM4040655SP	SCREW M4 L=6				1.00
25	WP0430800SD	WASHER M4				1.00
26	23630007	TUBE				2.00
27	23629306	PIPE STOPPER A				14.00
28	23630106	TUBE B				0.30
29	23629405	PIPE STOPPER B				4.00
30	23630601	OIL FILTER JOINT				2.00

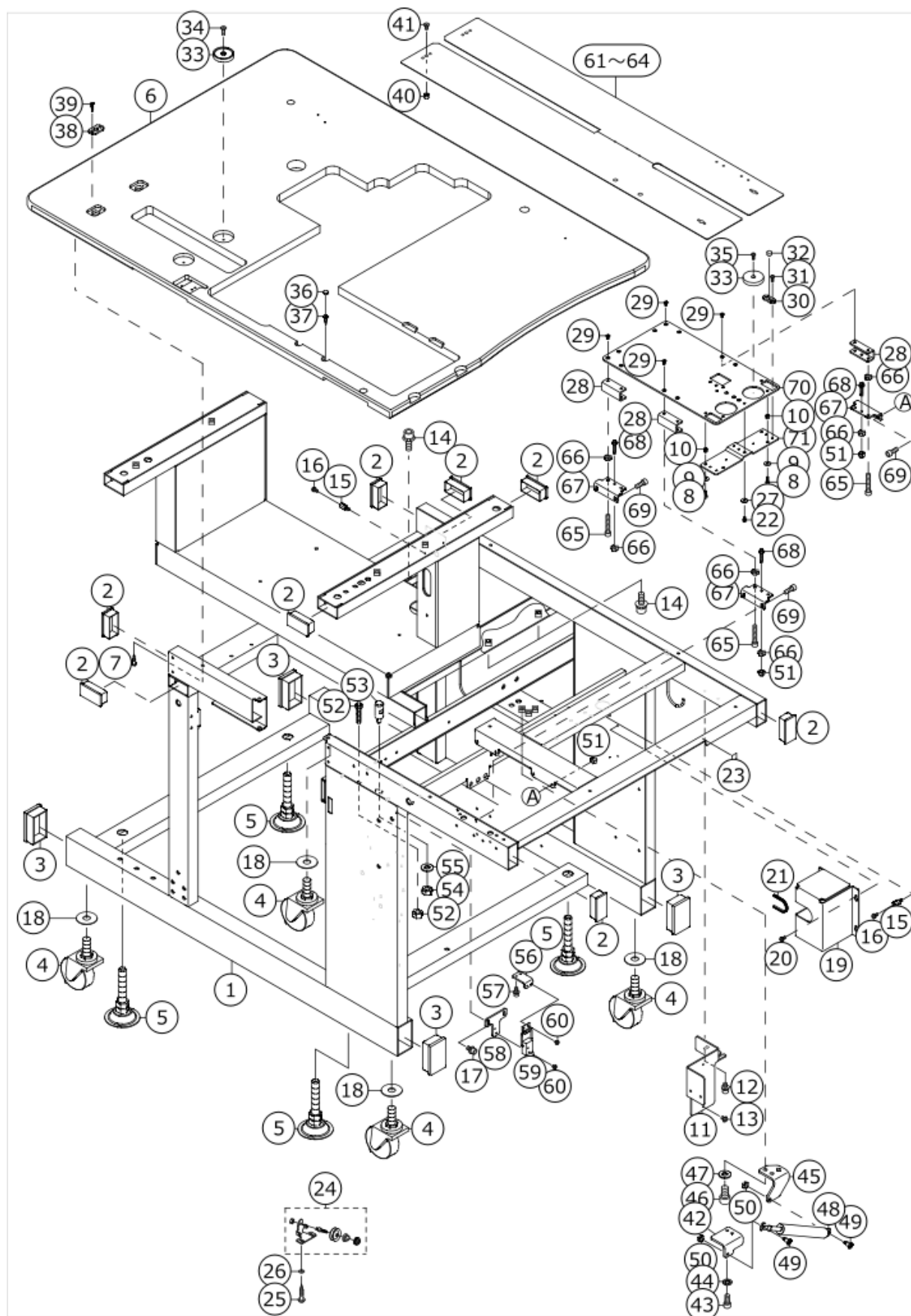
# BACK TUCK COMPONENTS



No.	品番	品名	備考	子部品	消耗品	個数
1	40149105	BACK TUCK MOTOR				1.00
2	SL4031291SC	SCREW M3 L=12				4.00
3	40033448	PULSE_MOTOR_BASE				1.00
4	SM6061202TP	SCREW M6 L=12				2.00
5	40033469	BACK_TACK_BEARING_PLATE				1.00
6	SM4041655SP	SCREW M4 L=16				4.00
7	SB105002000	BEARING				1.00
8	WP0450000SD	WASHER 4.5X8X0.5				4.00
9	13302500	DOWEL PIN 2				1.00
10	13301908	DOWEL PIN				1.00
11	40031053	BACK_TUCK_CAM				1.00
12	SM8040612TP	SCREW M4 L=6				2.00
13	40031052	BACK_TUCK_LINK				1.00
14	SB110002100	BEARING				1.00
15	40026143	BACK_FEED_ARM				1.00
16	22572002	DRIVING PIN A	SELECTIVE PARTS			1.00
17	22572101	DRIVING PIN B	SELECTIVE PARTS			1.00
18	22572200	DRIVING PIN C	SELECTIVE PARTS			1.00
19	22572309	DRIVING PIN D	SELECTIVE PARTS			1.00
20	SM8050612TP	SCREW M5X6				2.00
21	SM6061402TP	SCREW M6 L=14				1.00
22	HD00057000A	PHOTO SENSOR				1.00
23	40031055	PHOTO_SENSOR_PLATE				1.00
24	SM4040655SP	SCREW M4 L=6				2.00
25	40031056	SENSOR_SLIT_ASM.				1.00
26	SM8030412TP	SCREW				2.00
27	SL4031091SC	SCREW M3 L=10				1.00



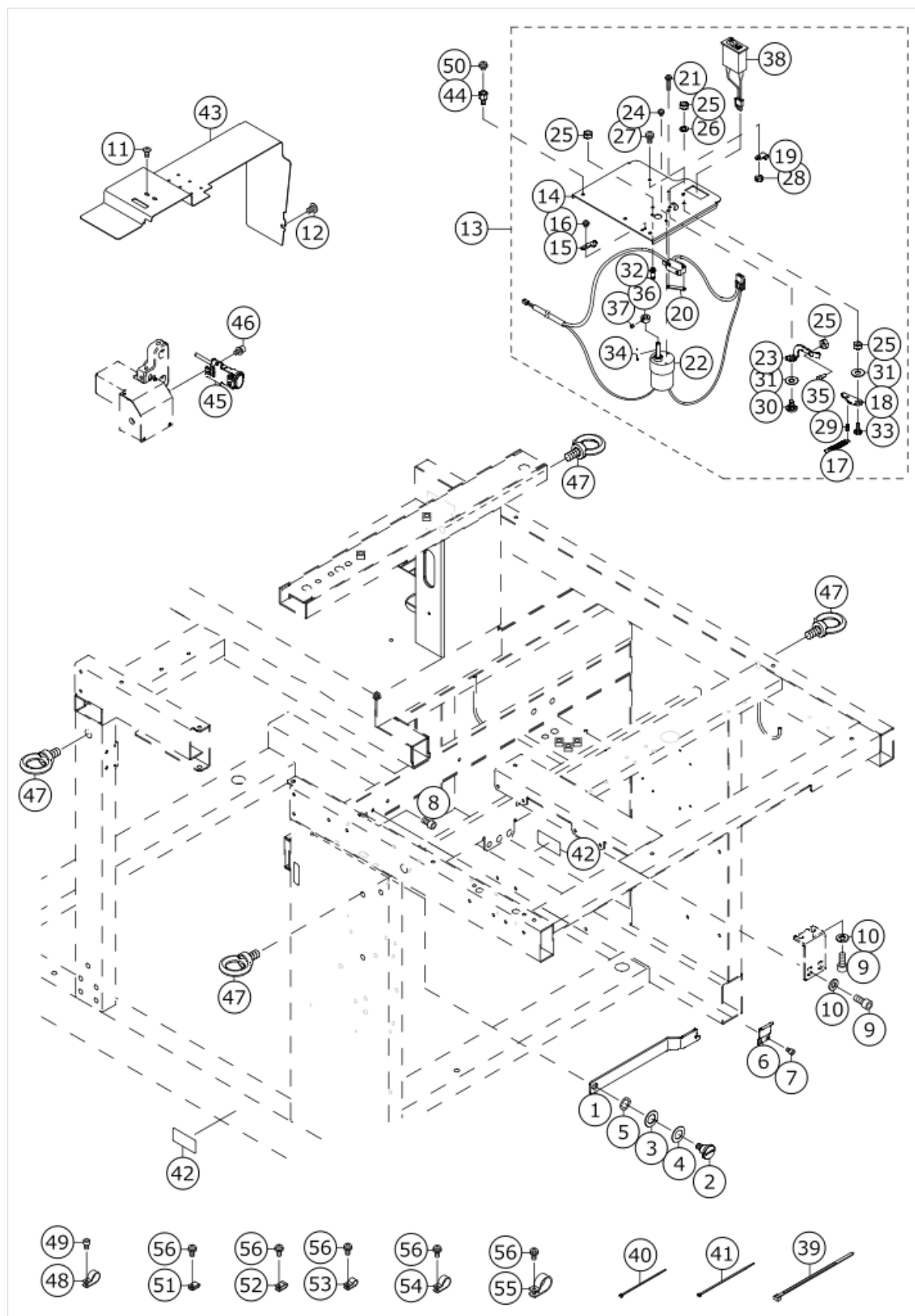
# FRAME & COVER COMPONENTS (1)



No.	品番	品名	備考	子部品	消耗品	個数
1	40145342	FRAME				1.00
2	40035075	CAP				8.00
3	40042653	CAP_LARGE				4.00
4	G5032164000	CASTER				4.00
5	40035074	ADJUST_BOLT				4.00
6	40149792	MAIN_TABLE				1.00
7	SK3451601SE	WOOD SCREW D=4.5 L=16				13.00
8	SM6041202TN	SCREW M4X0.7 L=12				4.00
9	WP0461516SH	WASHER				4.00
10	26017301	COLLAR				4.00
11	40167736	MAIN_SWITCH_BRACKET				1.00
12	SL6051092TN	BOLT				2.00
13	SM4040655SN	SCREW M4X0.7 L=6				2.00
14	SL6082092TN	BOLT				3.00
15	HX00056000B	SPACER				8.00
16	SL4030891SC	SCREW M3X8				8.00
17	SL6051092TN	BOLT				2.00
18	40101624	WASHER				4.00
19	40154512	INT COVER				1.00
20	SL4030891SC	SCREW M3X8				4.00
21	HX002230000	ADJUSTABLE BUSH				0.13
22	SM6040602TN	BOLT				1.00
23	CM600100101	WEEE MARK LABEL S				1.00
24	40053150	BOBBIN_WINDER_TENSION_BRACKET_ASM.				1.00
25	SK3381301SE	WOOD SCREW D=3.8 L=13				2.00
26	WP0430800SC	WASHER M4				2.00
27	WP0430800SC	WASHER M4				1.00
28	40145348	VACUUM TABLE BRACKET				4.00
29	SM1040801SC	SCREW M4X0.7 L=8				8.00
30	40026351	PIVOT_PLATE_A				2.00
31	SM4030801SN	SCREW M3 L=8				4.00
32	40145350	POSITION_PIN				2.00
33	40035100	MAGNET				4.00
34	SM1041201SC	SCREW M4 L=12				1.00
35	SM4030801SN	SCREW M3 L=8				2.00
36	E3160750000	BU MAGNET				2.00
37	SK1351601SE	WOOD SCREW D=3.5 L=16				2.00
38	40026353	PIVOT_PLATE_C				2.00
39	SK3381301SE	WOOD SCREW D=3.8 L=13				4.00
40	40026354	POSITION_BOSS				2.00
41	SM1040801SC	SCREW M4X0.7 L=8				2.00
42	40023186	GAS_SPRING_BRACKET_A				1.00
43	SM6061402TN	BOLT				2.00
44	WP0641601SC	WASHER M6				2.00
45	40023182	GAS_SPRING_BRACKET_B				1.00
46	SM6081602TN	BOLT M8 L=16				3.00
47	WP0841601SC	WASHER 8.4X17.4X1.6				3.00
48	40023177	GAS_SPRING_A				1.00
49	SD0801006TP	SHOULDER SCREW D=8 H=10				2.00
50	NM6050001SE	NUT M5				2.00

51	NM7050032SC	NUT M5				4.00
52	G6206875000	STOPPER BOLT				2.00
53	40023181	HEAD_GUIDE_PIN				1.00
54	NM6080001SE	NUT M8				1.00
55	WP0841601SC	WASHER 8.4X17.4X1.6				1.00
56	40023183	CLIP_BRACKET_A				1.00
57	SL6041092TN	SCREW				2.00
58	40023185	CLIP_BRACKET_B				1.00
59	40026872	CATCH_CLIP_A				1.00
60	SM4030455SN	SCREW				4.00
61	40026357	SEWING_TABLE_UNIT_8_14	SELECTIVE PARTS			1.00
62	40027366	SEWING_TABLE_UNIT_16_20	SELECTIVE PARTS			1.00
63	40027367	SEWING_TABLE_UNIT_22_26	SELECTIVE PARTS			1.00
64	40027368	SEWING_TABLE_UNIT_28_32	SELECTIVE PARTS			1.00
65	SM6052502TN	SCREW				8.00
66	NM6050001SP	NUT M5				12.00
67	40034474	SUCTION_BOX_BRACKET				4.00
68	40145345	SUCTION_BOX_ADJUST_BOLT				4.00
69	SM6051402TN	SCREW M5 L=14				8.00
70	40145346	VACUUM_PLATE_A				1.00
71	40145347	VACUUM_TABLE_SUPPORT_PLATE				1.00

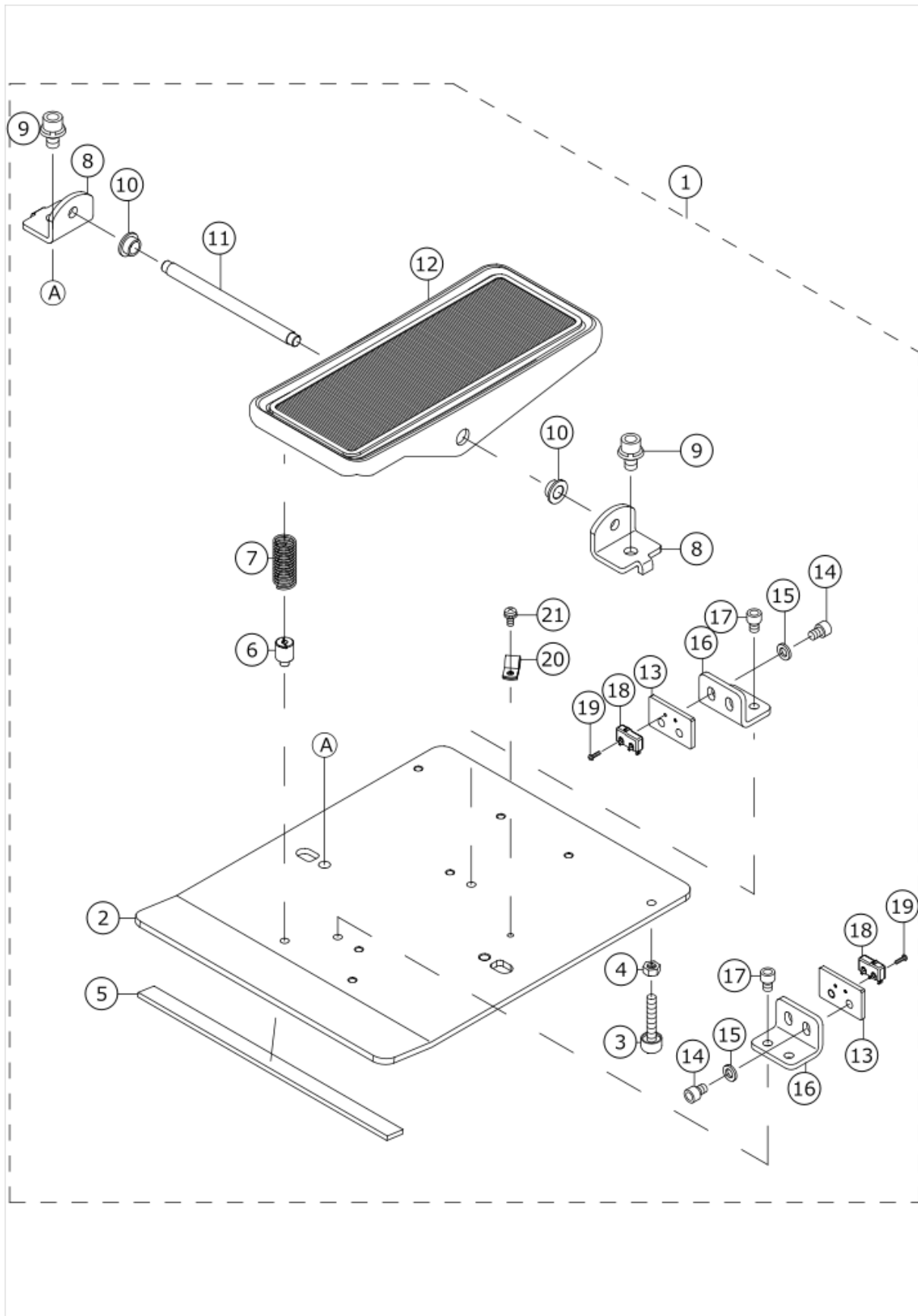
# FRAME & COVER COMPONENTS (2)



No.	品番	品名	備考	子部品	消耗品	個数
1	40025638	ROCK_BAR				1.00
2	SD1000646TP	SHOULDER SCREW D=10 H=6.4				1.00
3	WP1021016SD	WASHER 10.2X18X1				1.00
4	WP1020616SD	WASHER				1.00
5	WZ1052010KP	WAVED WASHER 10.5X14.5X0.3				2.00
6	40025639	ROCK_BAR_SUPPORT_PLATE				1.00
7	SM6050802TN	BOLT				2.00
8	SM6051002TN	BOLT				1.00
9	SM6061402TN	BOLT				4.00
10	WP0641601SC	WASHER M6				4.00
11	SM0040801SC	SCREW M4 L=8				2.00
12	SM0050801SC	SCREW M5 L=8				1.00
13	40188447	BOBBIN_WINDER_ASSY				1.00
14	40188443	MOTOR_COVER		*		1.00
15	10502300	THREAD CUTTER		*		1.00
16	SL4030691SC	SCREW M3 L=6		*		1.00
17	B3041980000	SPRING		*		1.00
18	13889704	SWITCH PUSHING PLATE		*		1.00
19	HX001230000	CABLE CLIP		*		1.00
20	22954408	STOPPER PLATE		*		1.00
21	SL4031681SC	SCREW M3 L=16		*		2.00
22	40201682	MOTOR ASSY D		*		1.00
23	13870605	BOBBIN GUIDE		*		1.00
24	SL4030691SC	SCREW M3 L=6		*		3.00
25	NS6110420SP	NUT 11/64-40		*		5.00
26	WS0451040KP	SPRING WASHER 4.5X8.5X1		*		2.00
27	SL4041081SC	SCREW M4 L=10		*		1.00
28	NM6040001SC	NUT M4		*		1.00
29	B1110280000	THREAD CUTTING LINK SPRING RACK		*		1.00
30	SD0720221SP	HINGE SCREW D=7.24 H=2.2		*		1.00
31	WP0451016SH	PLAIN WASHER 4.5X13X1		*		2.00
32	B3413227000A	SPRING SUSPENSION		*		1.00
33	SD0720222TP	HINGE SCREW D=7.24 H=2.2		*		1.00
34	B3212761000	LATCH SPRING		*		1.00
35	B3208280000	BOBBIN WINDER ADJUSTING SCREW		*		1.00
36	CS0640611SP	THRUST HOLDER		*		1.00
37	SS8090530TP	SCREW 9/64-40 L=5.0		*		1.00
38	40201680	OCP CORD ASM		*		2.00
39	HX00065000A	CABLE CLIP				3.00
40	EA9500B0100	CABLE BAND				16.00
41	EA9500B0200	CABLE BAND 150				5.00
42	16870206	GRAVITY SEAL				2.00
43	40145340	ARM_COVER				1.00
44	HX00339000E	SPACER				3.00
45	32002354	SWITCH ASM.				1.00
46	SL6040892TN	BOLT				2.00
47	G5039171000	EYE BOLT M12				4.00
48	HX00150000F	CABLE CLIP				1.00
49	SM6040602TN	BOLT				7.00
50	SL4040691SC	SCREW M4 L=6				3.00

51	HX001500000	CLIP				3.00
52	HX00150000A	CABLE CLAMP				5.00
53	HX00150000C	CABLE CLIP				9.00
54	HX00150000H	CABLE CLIP				6.00
55	HX00150000M	CABLE CLIP				1.00
56	SL4041091SC	SCREW M4 L=10				19.00

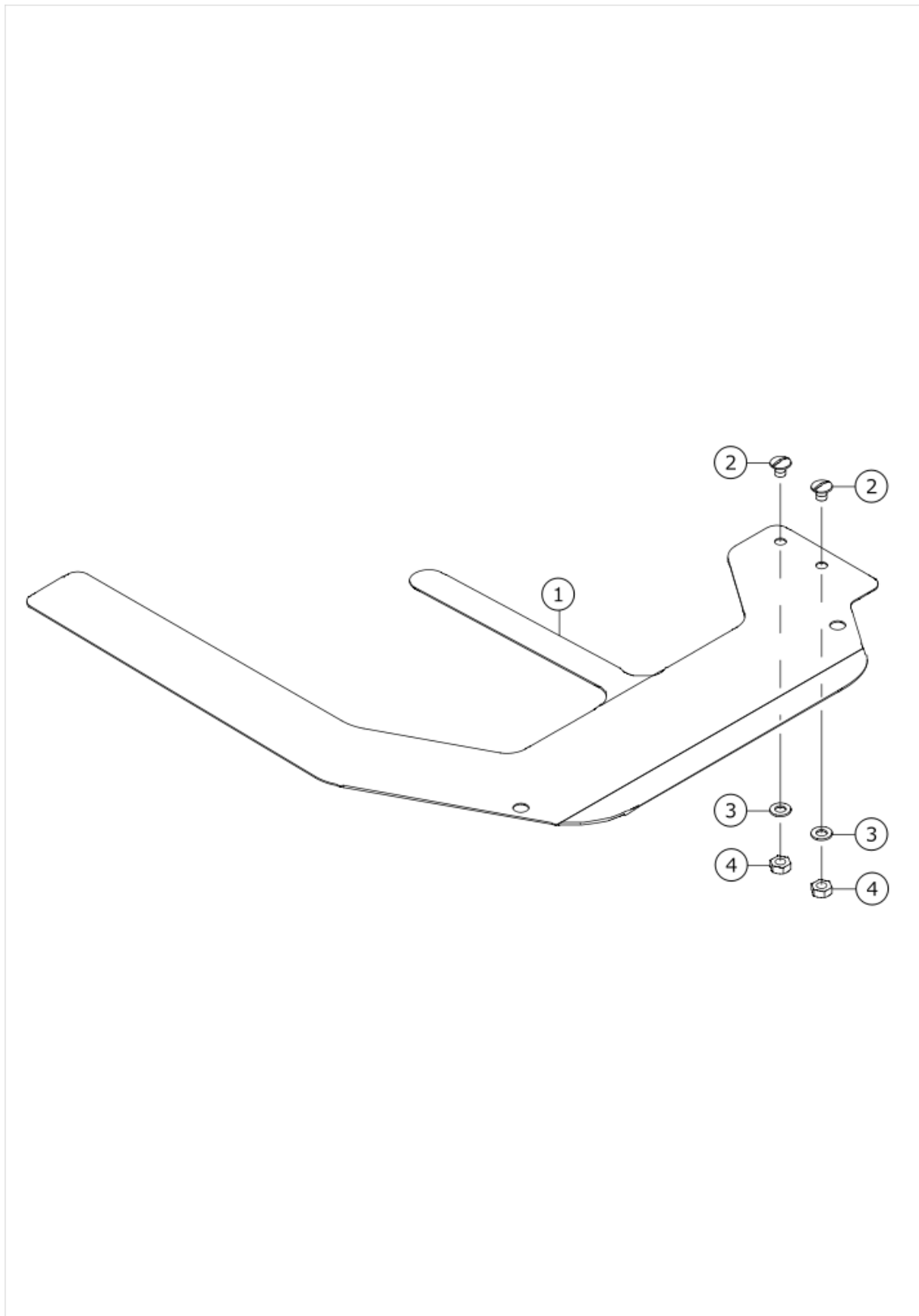
# PEDAL SWITCH COMPONENTS



No.	品番	品名	備考	子部品	消耗品	個数
1	40174190	PEDAL_BASE_ASM.				1.00
2	40174186	PEDAL_BASE		*		1.00
3	GAK01003B00	PRESSER LIFTER STOPPER B		*		2.00
4	NM6060001SC	NUT M6X1 TYPE1		*		2.00
5	GPK26002000	PEDAL_BASE RUBBER		*		1.00
6	40025440	WIPER_STUD_TOP		*		4.00
7	GPK14013000	PEDAL SPRING		*		4.00
8	11159001	PEDAL SHAFT BRACKET		*		2.00
9	SL6081242TN	BOLT		*		2.00
10	D8113555B00	PEDAL BUSHING		*		2.00
11	B8153771000	PEDAL CONNECTING ROD		*		1.00
12	GPF060600A0	PEDAL ASM.		*		1.00
13	40174187	SENSOR_BRACKET		*		2.00
14	SM6060802TN	BOLT		*		4.00
15	WP0641600SC	WASHEW 6.4X12.5X1.6		*		4.00
16	40174188	SENSOR_BRACKET_BASE		*		2.00
17	SM6060802TN	BOLT		*		4.00
18	40164491	PEDAL SWITCH CORD ASM		*		1.00
19	SM4020801SC	SCREW M2 X 8		*		4.00
20	HX00150000B	CABLE CLAMP		*		1.00
21	SL4041091SC	SCREW M4 L=10		*		1.00

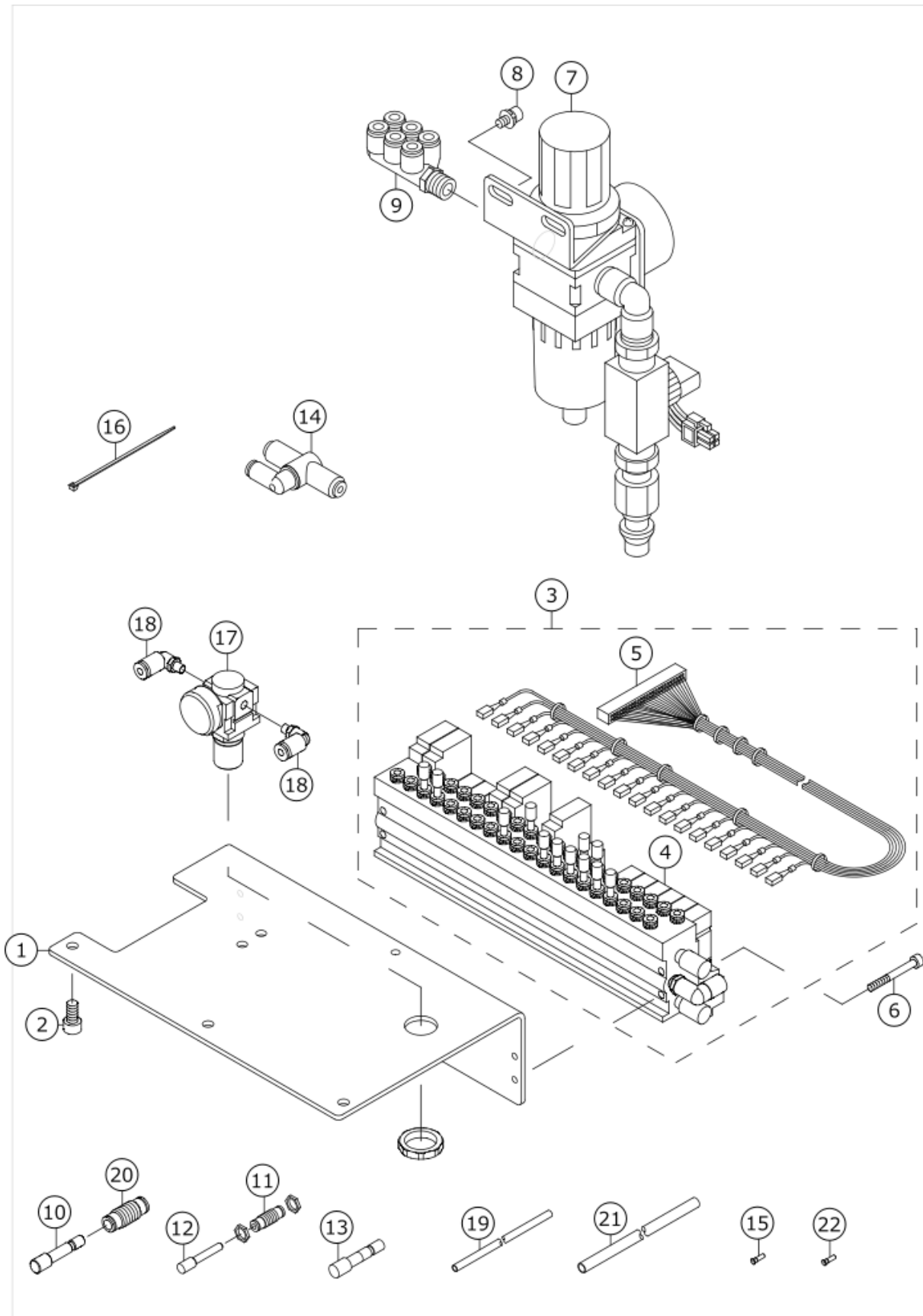


# POCKET BAG CLAMP COMPONENTS



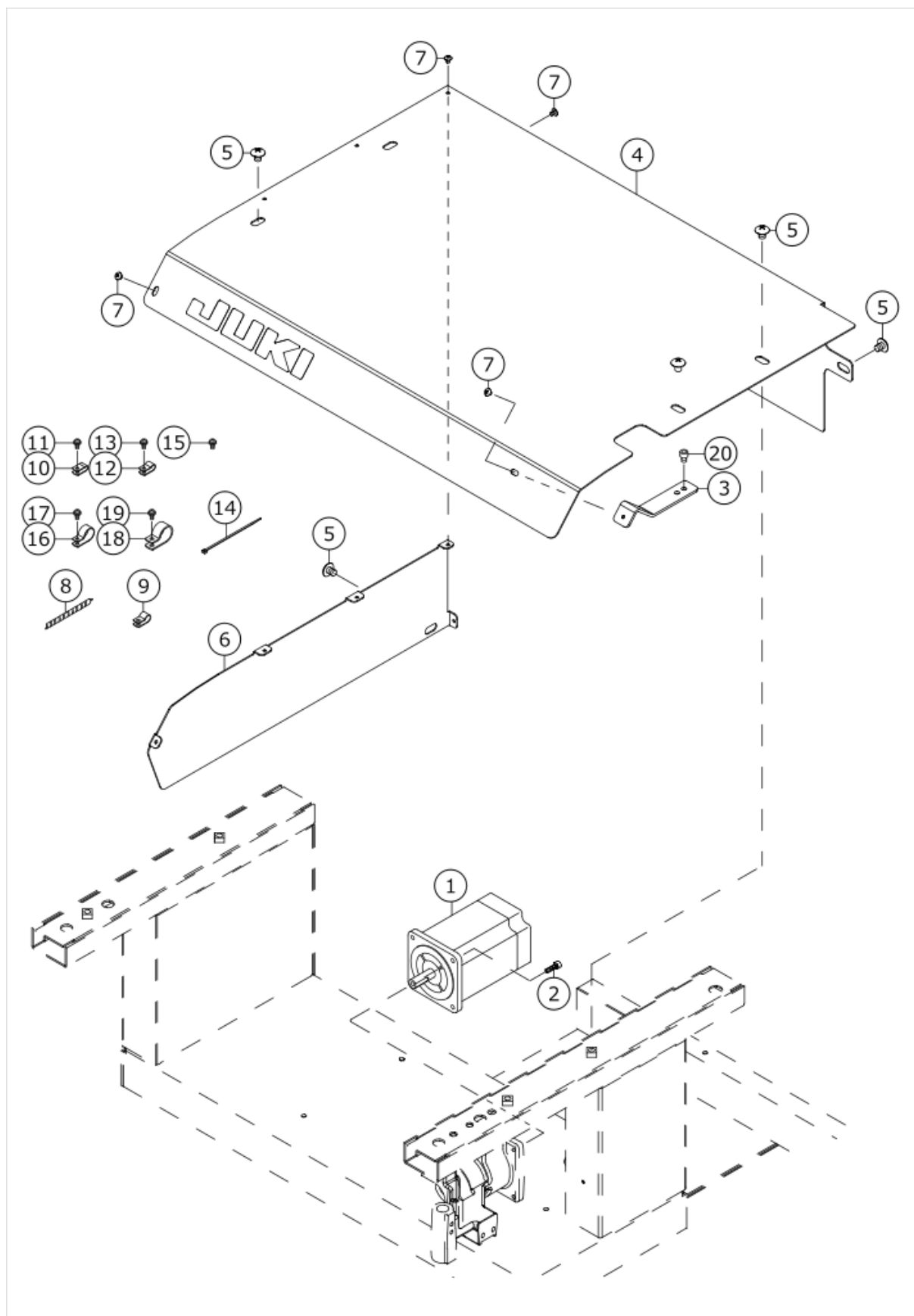
No.	品番	品名	備考	子部品	消耗品	個数
1	40034441	POCKET_BAG_CLAMP				1.00
2	SM5040550TP	SCREW M4 L=5				2.00
3	WP0430800SD	WASHER M4				2.00
4	NM6040000SN	NUT M4				2.00

# AIR EQUIPMENT COMPONENTS



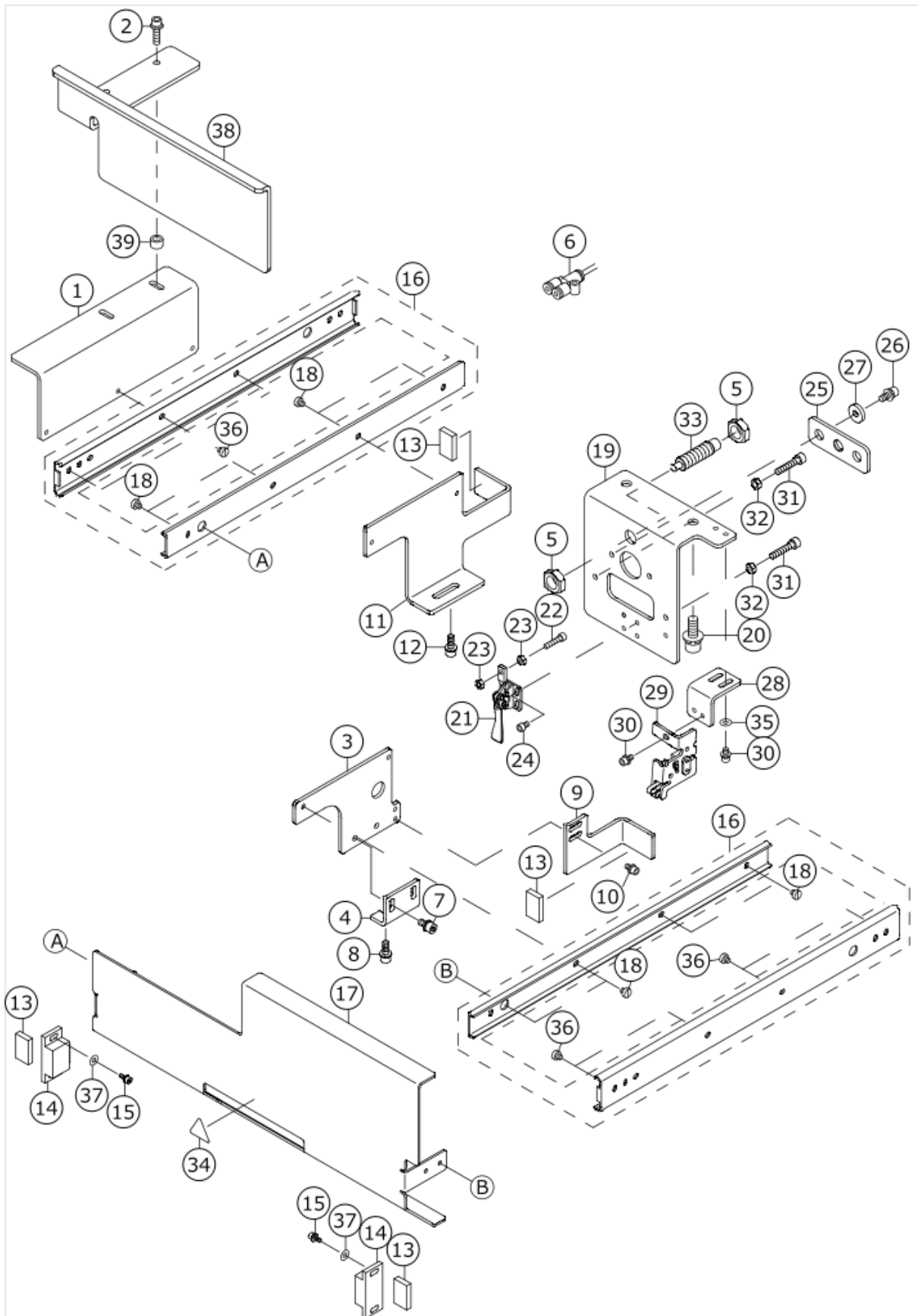
No.	品番	品名	備考	子部品	消耗品	個数
1	40149504	MANIFOLD_VALVE_BASE				1.00
2	SM6061202TP	SCREW M6 L=12				3.00
3	40044842	MANIFOLD_ASSY				1.00
4	40035097	MANIFOLD_VALVE_ASSY		*		1.00
5	40035098	AIR SORENOID VALVE CORD		*		1.00
6	SM6043552TN	SCREW M4 L=35				4.00
7	G56042540A0	FILTER REGULATER ASM.				1.00
8	SL6051092TN	BOLT				2.00
9	PJ309065201	TRIPLE BRANCH UNIVERSAL ELBOW				1.00
10	PX950001000	PLUG				4.00
11	PJ230004200	UNION				1.00
12	PX500014000	PLUG				1.00
13	PX950001000	PLUG				1.00
14	PV200202000	SHUTTLE VALVE				1.00
15	PC022403F00	INSERT RING				2.00
16	EA9500B0100	CABLE BAND				20.00
17	PF0205010C0	AIR REGULATOR				1.00
18	PJ304040504	ELBOW UNION				2.00
19	BT0400251EB	URETHANE HOSE BLACK				30.00
20	PJ230006200	UNION				3.00
21	BT0600400EC	TUBE HOSE BLUE				5.50
22	PC022403E00	INSERT RING				3.00

# CLAMP FOOT COMPONENTS



No.	品番	品名	備考	子部品	消耗品	個数
1	40071945	STEPPING MOTOR				1.00
2	SM6051602TN	BOLT				4.00
3	40149543	COVER SUPPORT PLATE				1.00
4	40145338	CLAMP FOOT PLATE A				1.00
5	SM0081001SC	SCREW M8 L=10				6.00
6	40145339	CLAMP FOOT PLATE B				1.00
7	SM0040601SC	SCREW M4X0.7 L=6				6.00
8	HX00314000B	SPIRAL TUBE				1.50
9	HX00150000C	CABLE CLAMP				1.00
10	HX00150000A	CABLE CLAMP				5.00
11	SL4041091SC	SCREW M4 L=10				5.00
12	HX00150000C	CABLE CLIP				4.00
13	SL4041091SC	SCREW M4 L=10				4.00
14	EA9500B0100	CABLE BAND				20.00
15	SL4041091SC	SCREW M4 L=10				2.00
16	HX00150000H	CABLE CLIP				2.00
17	SL4041091SC	SCREW M4 L=10				1.00
18	HX00150000K	CABLE CLIP				1.00
19	SL4041091SC	SCREW M4 L=10				1.00
20	SM6060802TN	BOLT				2.00

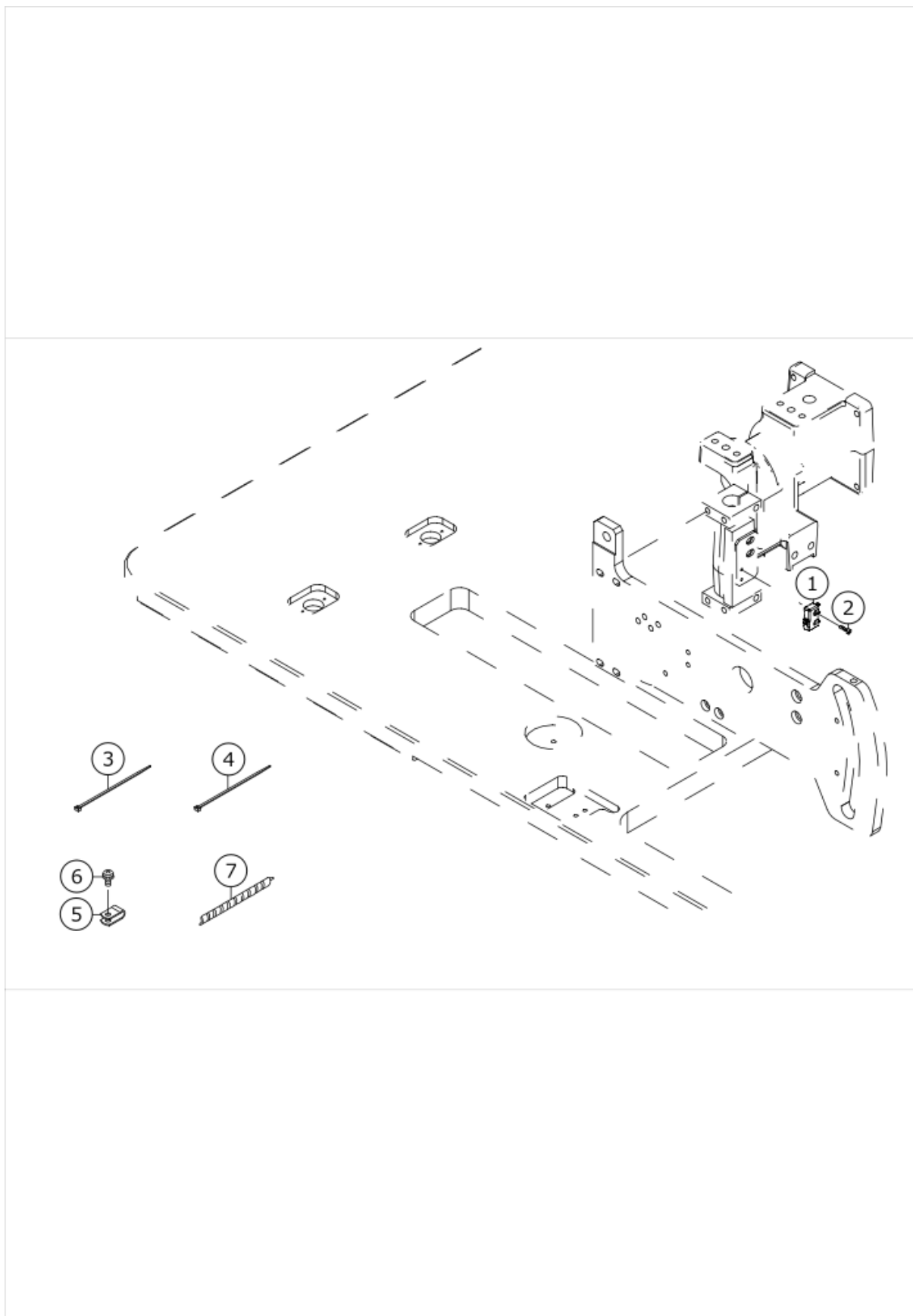
# CORNER KNIFE COMPONENTS



No.	品番	品名	備考	子部品	消耗品	個数
1	40059494	SLIDE_BASE_A				1.00
2	SL6052092TN	SCREW				2.00
3	40023189	SLIDE_BRACKET_A				1.00
4	40023176	SLIDE_BRACKET_C				1.00
5	NM6120003SC	NUT M12				2.00
6	PJ308040002	QUICK COUPLING				2.00
7	SL6051092TN	BOLT				2.00
8	SL6051492TN	BOLT				2.00
9	40033795	UNIT_FIXED_BKT_A				1.00
10	SL6040892TN	BOLT				2.00
11	40023190	SLIDE_BRACKET_B				1.00
12	SL6051492TN	BOLT				2.00
13	40039896	CUSHION				4.00
14	E5158715000	MAGNET CATCH				2.00
15	SL6030692TN	BOLT				4.00
16	40035072	SLIDE_RAIL				2.00
17	40033793	CORNER_KNIFE_UNIT_COVER				1.00
18	SM6040460TP	SCREW M4 L=4.2				8.00
19	40023200	FRAME_BRACKET				1.00
20	SL6082092TN	BOLT				2.00
21	40033786	TOGGLE_CLAMP				1.00
22	SM6041802TN	SCREW M4X0.7 L=18				1.00
23	NM6040001SC	NUT M4				2.00
24	SM6040602TN	BOLT				4.00
25	40033791	GUIDE_PLATE				1.00
26	SL6051292TN	BOLT				2.00
27	WP0553216SD	WASHER				2.00
28	40033797	OPEN_SENSOR_BRACKET				1.00
29	M8598610AA0	HEAD DETECT SWITCH ASM.				1.00
30	SL6040892TN	BOLT				3.00
31	SM6052502TN	HEXAGONAL-HOLE BOLT				2.00
32	NM6050001SC	NUT M5				2.00
33	40044019	SPRING_PLUNGER				1.00
34	CM300200002	CAUTION LABEL(25)				1.00
35	WP0410516SD	PLAIN WASHER				2.00
36	SM6040650TP	SCREW				7.00
37	14030100	WASHER				4.00
38	40194145	STOPPER_PLATE				1.00
39	MAZ12665000	MAGNET FITTING BASE COLLAR				2.00

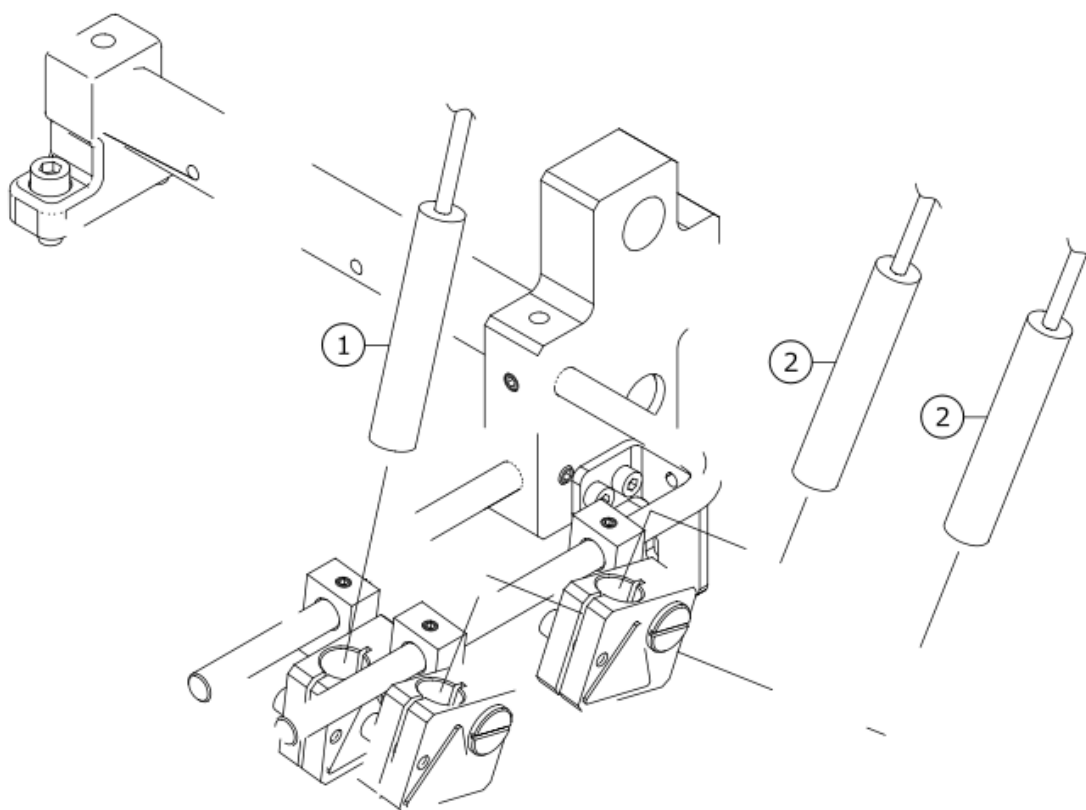


# BINDER COMPONENTS



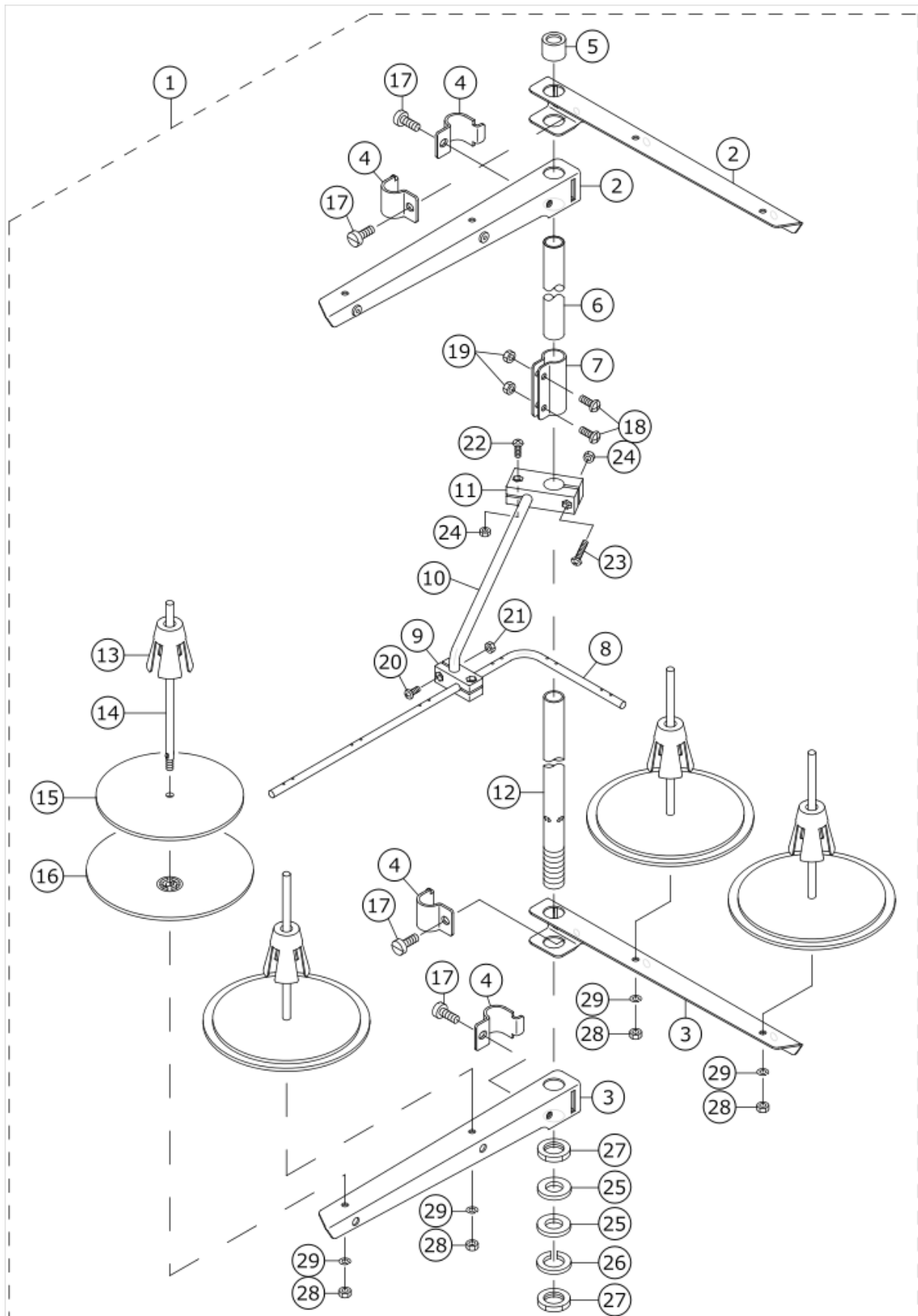
No.	品番	品名	備考	子部品	消耗品	個数
1	40044001	BINDER OPEN SWITCH ASM.				1.00
2	SM6020802TN	SCREW M2 L=8				2.00
3	EA9500B0000	CLIP CV-70S				1.00
4	EA9500B0100	CABLE BAND				2.00
5	HX00150000A	CABLE CLAMP				1.00
6	SL4041091SC	SCREW M4 L=10				1.00
7	HX00314000B	SPIRAL TUBE				0.30

# MARKING LIGHT COMPONENTS



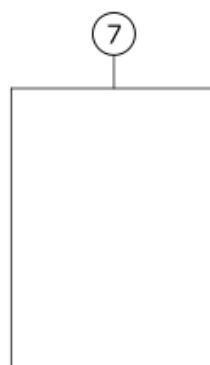
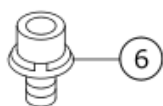
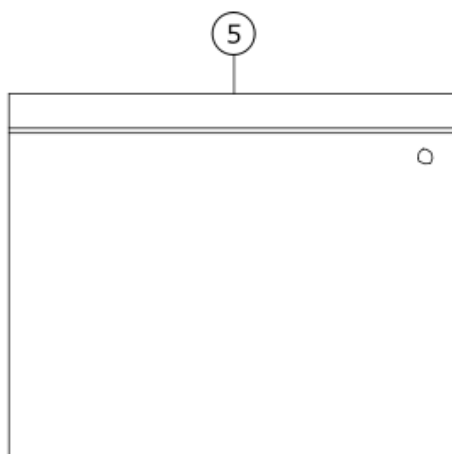
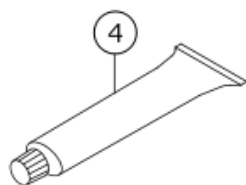
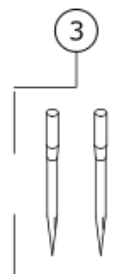
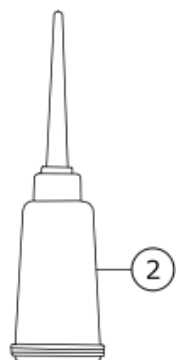
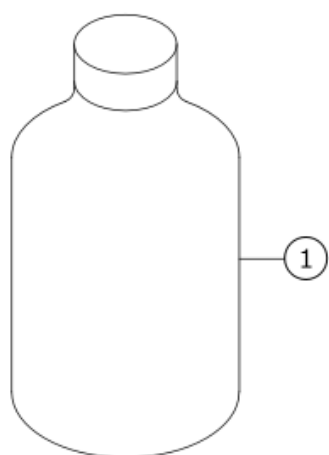
No.	品番	品名	備考	子部品	消耗品	個数
1	KE000000020	LAMP				1.00
2	KE000000010	LAMP				2.00

# THREAD STAND COMPONENTS



No.	品番	品名	備考	子部品	消耗品	個数
1	13167556	THREAD STANDING DEVICE ASM.				1.00
2	22930556	THREAD STANDING ARM ASM.		*		2.00
3	22930507	SPOOL REST ARM		*		2.00
4	22930705	THREAD GUIDE ARM JOINT		*		4.00
5	22931406	SPOOL REST ROD RUBBER CAP		*		1.00
6	22930408	SPOOL REST ROD UPPER		*		1.00
7	22931307	SPOOL REST ROD JOINT		*		1.00
8	13167903	THREAD STANDING THREAD GUIDE		*		1.00
9	13168000	THREAD GUIDE BASE LOWER		*		1.00
10	13168109	THREAD GUIDE ARM BASE		*		1.00
11	13168208	THREAD GUIDE ARM BASE		*		1.00
12	22930309	SPOOL REST ROD LOWER		*		1.00
13	22931109	SPOOL RETAINER		*		4.00
14	22931000	SPOOL PIN		*		4.00
15	22930903	SPOOL REST CUSHION		*		4.00
16	22930804	SPOOL REST		*		4.00
17	SM6061610SC	SCREW M6 L=16		*		4.00
18	SM4051405SE	SCREW M5 L=14		*		2.00
19	NM6050001SE	NUT M5		*		2.00
20	SM4041001SC	SCREW M4X0.7 L=10		*		2.00
21	NM6040002SE	NUT M4X0.7		*		2.00
22	SM4041201SC	SCREW M4 L=12		*		1.00
23	SM4042001SC	SCREW M4X20		*		1.00
24	NM6040002SE	NUT M4X0.7		*		2.00
25	WP1612616SE	WASHER 16X30X2.6		*		2.00
26	WS1643202KR	SPRING WASHER		*		1.00
27	NM6160511SE	NUT M16X1.5		*		2.00
28	NM6050001SE	NUT M5		*		4.00
29	WS0510002KN	SPRING WASHER		*		4.00

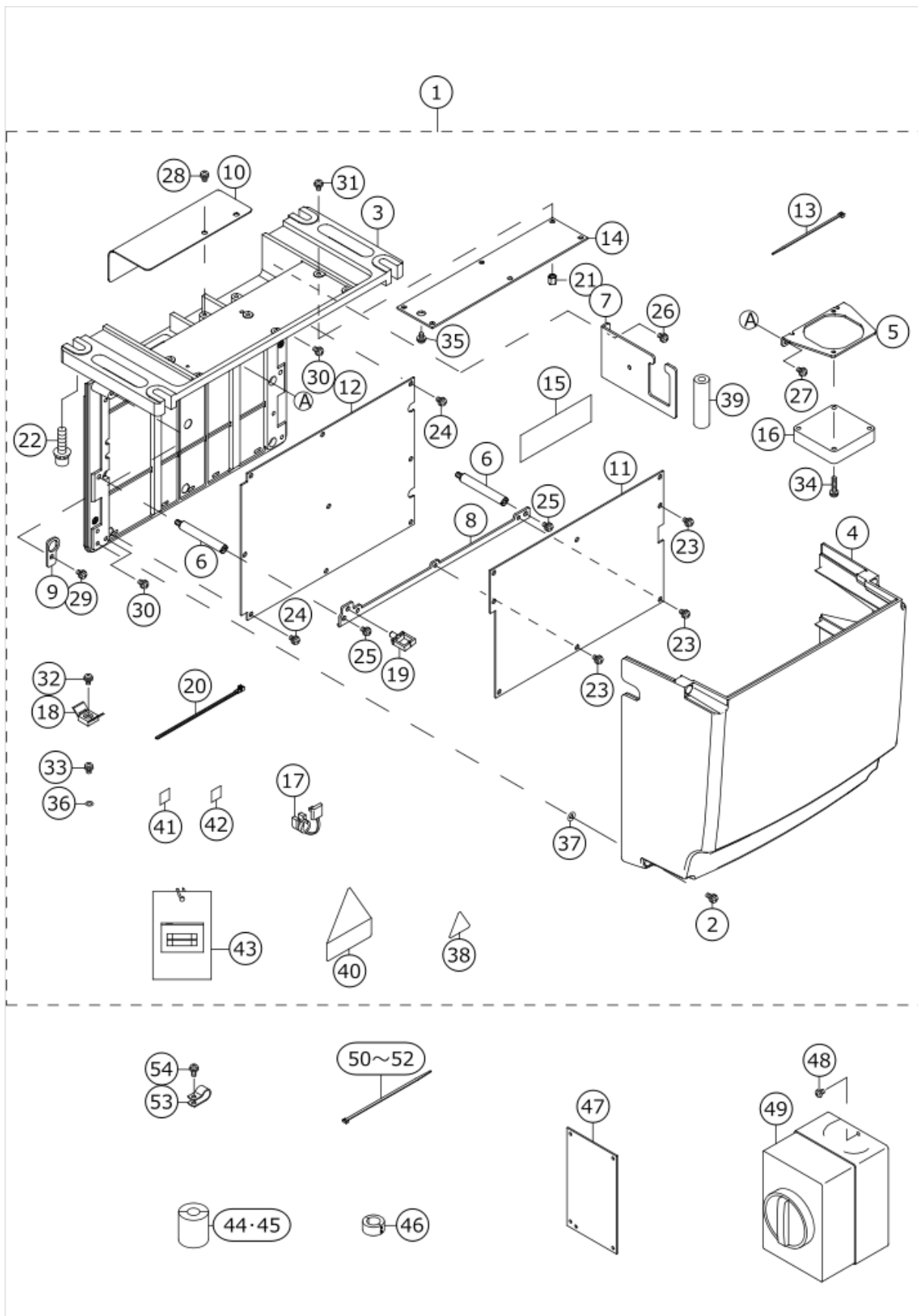
# ACCESSORIE PART COMPONENTS



No.	品番	品名	備考	子部品	消耗品	個数
1	MDFRX1600C0	DEFRIX OIL NO.1(600CC)				1.00
2	B91210120A0	OILER ASM.				1.00
3	MDP170B1602	NEEDLE DPX17#16-2				2.00
4	40006323	JUKI GREASE A TUBE				1.00
5	22932800	ACCESSORIE BAG				1.00
6	SL6051092TN	BOLT				4.00
7	40088999	INFO OF THE BATTERY DISPOSAL BRA(JP)				1.00



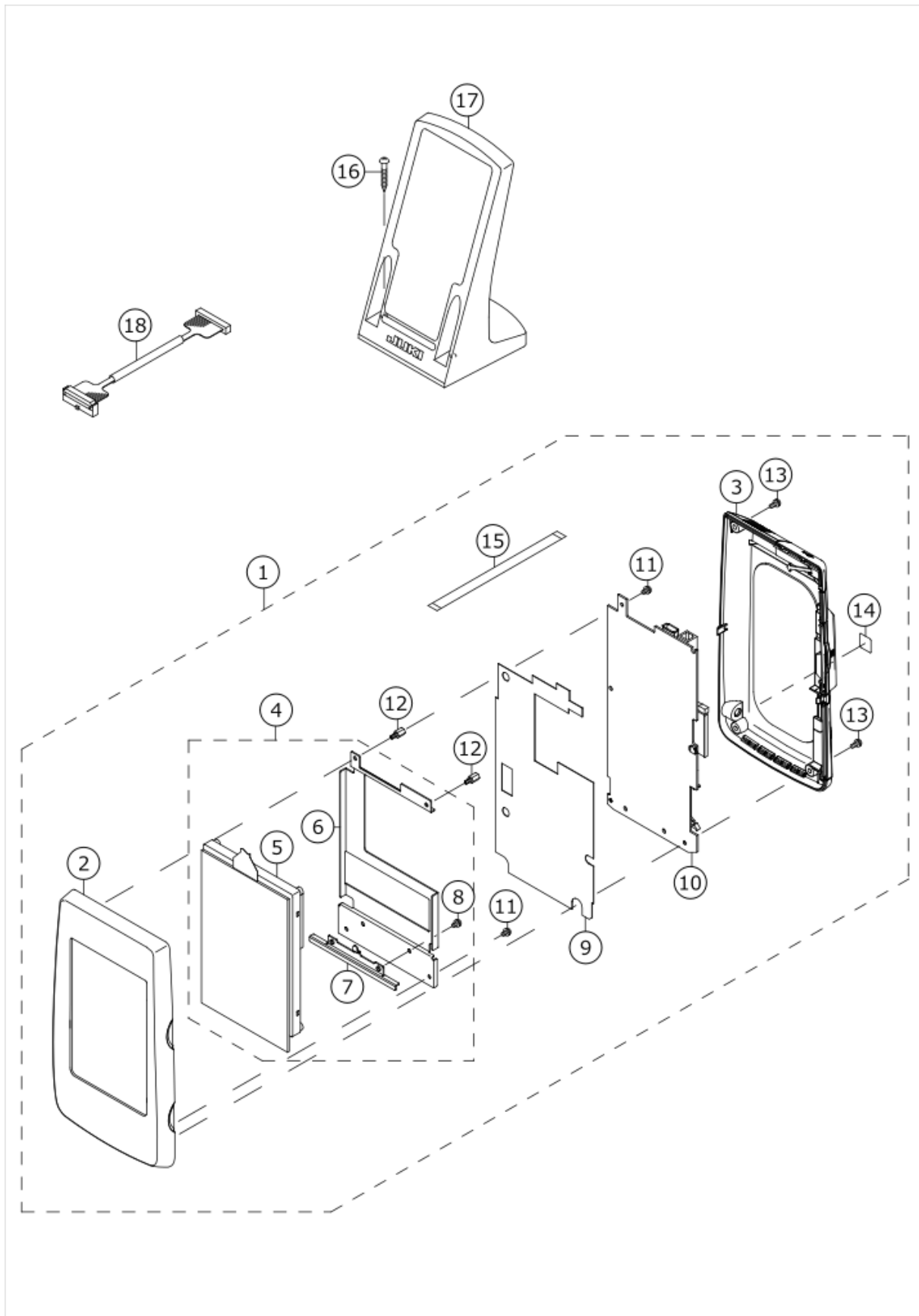
# TRANSMISSION BOX COMPONENTS



No.	品番	品名	備考	子部品	消耗品	個数
1	40194211	CTL BOX A ASM 895NE				1.00
2	SL4041281SC	SCREW M4 L=12		*		4.00
3	40143989	FRAME_B		*		1.00
4	40114136	COVER		*		1.00
5	40115874	FAN_PLATE		*		1.00
6	40143990	STUD		*		2.00
7	40115876	PLATE_B		*		1.00
8	40115877	MAIN_PLATE		*		1.00
9	40115878	PLATE_C		*		1.00
10	40115879	FAN_COVER		*		1.00
11	40194216	MAIN PCB A ASSY		*		1.00
12	40198335	SDC PCB ASSY		*		1.00
13	EA9500B0100	CABLE BAND		*		1.00
14	40105475	FLT-CE PCB ASSY		*		1.00
15	40114398	MAIN COOL SHEET		*		2.00
16	40153316	FAN MOTOR ASSY		*		1.00
17	KX000000320	BUSH		*		1.00
18	KX000000260	SADDLE TYPE TIE MOUNT		*		1.00
19	HX00222000D	WIRE SADDLE		*		1.00
20	HX00292000A	CABLE BAND		*		1.00
21	HX00339000M	SPACER		*		6.00
22	SL6083092TN	SCREW M8 L=30		*		4.00
23	SL4040881SC	SCREW M4 L=8		*		8.00
24	SL4040881SC	SCREW M4 L=8		*		4.00
25	SL4040881SC	SCREW M4 L=8		*		2.00
26	SL4040881SC	SCREW M4 L=8		*		2.00
27	SL4040881SC	SCREW M4 L=8		*		2.00
28	SL4040881SC	SCREW M4 L=8		*		2.00
29	SL4040881SC	SCREW M4 L=8		*		1.00
30	SL4040881SC	SCREW M4 L=8		*		2.00
31	SL4040881SC	SCREW M4 L=8		*		6.00
32	SL4040881SC	SCREW M4 L=8		*		1.00
33	SL4040881SC	SCREW M4 L=8		*		1.00
34	SL4040881SC	SCREW M4 L=20		*		2.00
35	SL4042091SC	SCREW M4X0.7 L=20		*		1.00
36	WP0430800SC	WASHER M4		*		1.00
37	M8002430000	STOPPER		*		4.00
38	CM300100001	VOLTAGE WARNING LABEL (31.5)		*		1.00
39	E8760452S00	TUBE		*		0.06
40	CM300400602	VOLTAGE CAUTION LABEL L=25		*		1.00
41	CM600100101	WEEE MARK LABEL S		*		1.00
42	40150131	EAC MARK		*		1.00
43	40145076	ACCESSORIE PART ASSY		*		1.00
44	HN002840000	CORES				1.00
45	HN002110000	CORES				1.00
46	HN002460000	CORES				1.00
47	40145096	INT PCB ASSY				2.00
48	SL4040691SC	SCREW M4 L=6				1.00
49	HA005820000	SWITCH				1.00
50	EA9500B0100	CABLE BAND				20.00

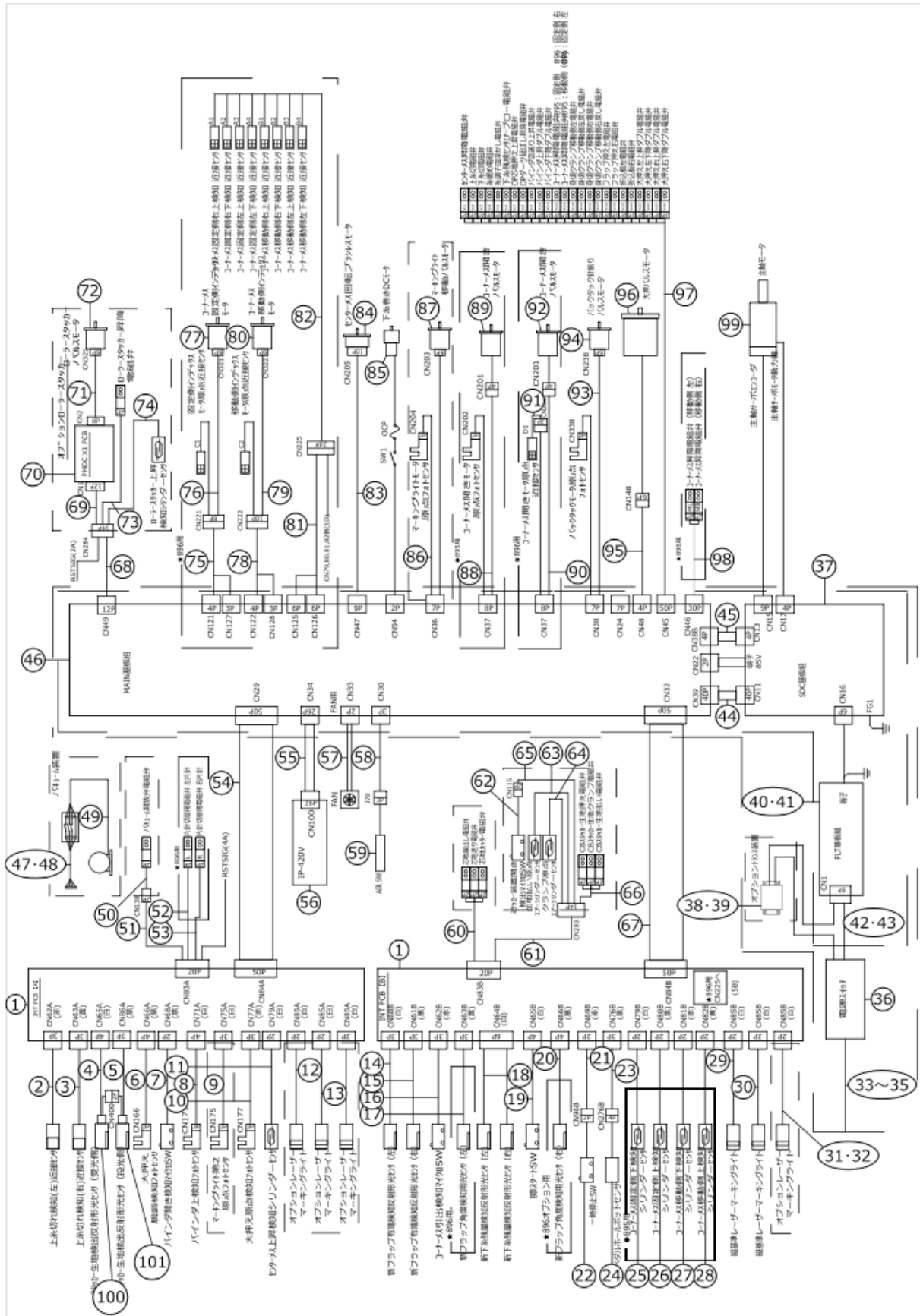
51	EA9500B0200	CABLE BAND				10.00
52	HX00065000A	CABLE BAND				3.00
53	HX00150000M	CABLE CLAMP				1.00
54	SL4041091SC	SCREW M4 L=10				1.00

# OPERATION PANEL COMPONENTS



No.	品番	品名	備考	子部品	消耗品	個数
1	40194218	IP-420X PANEL ASSY				1.00
2	40078163	FRONT_CASE		*		1.00
3	40080799	REAR_CASE_ASSY		*		1.00
4	40080800	LCD_ASSY		*		1.00
5	40086541	LCD TOUCH PANEL ASSY		*		1.00
6	40083668	LCD_BRACKET		*		1.00
7	40083666	LCD_STAY		*		1.00
8	SL4030681SC	SCREW M3 L=6		*		2.00
9	40078168	INSULATION_SHEET		*		1.00
10	40166481	PANEL PCB ASSY		*		1.00
11	SL4030681SC	SCREW M3 L=6		*		3.00
12	HX00354000B	PCB SUPPORT L=8MM		*		2.00
13	SL4030881SC	SCREW M3X8		*		4.00
14	CM600100101	WEEE MARK LABEL S		*		1.00
15	HW002650330	FLAT CABLE		*		1.00
16	SK3413201SE	WOOD SCREW D=4.1 L=32				2.00
17	40035024	OPERATION_BOX_FIXED_PLATE (B) ASM.				1.00
18	40065566	PANEL CABLE D ASM.				1.00

# WIRING DIAGRAM



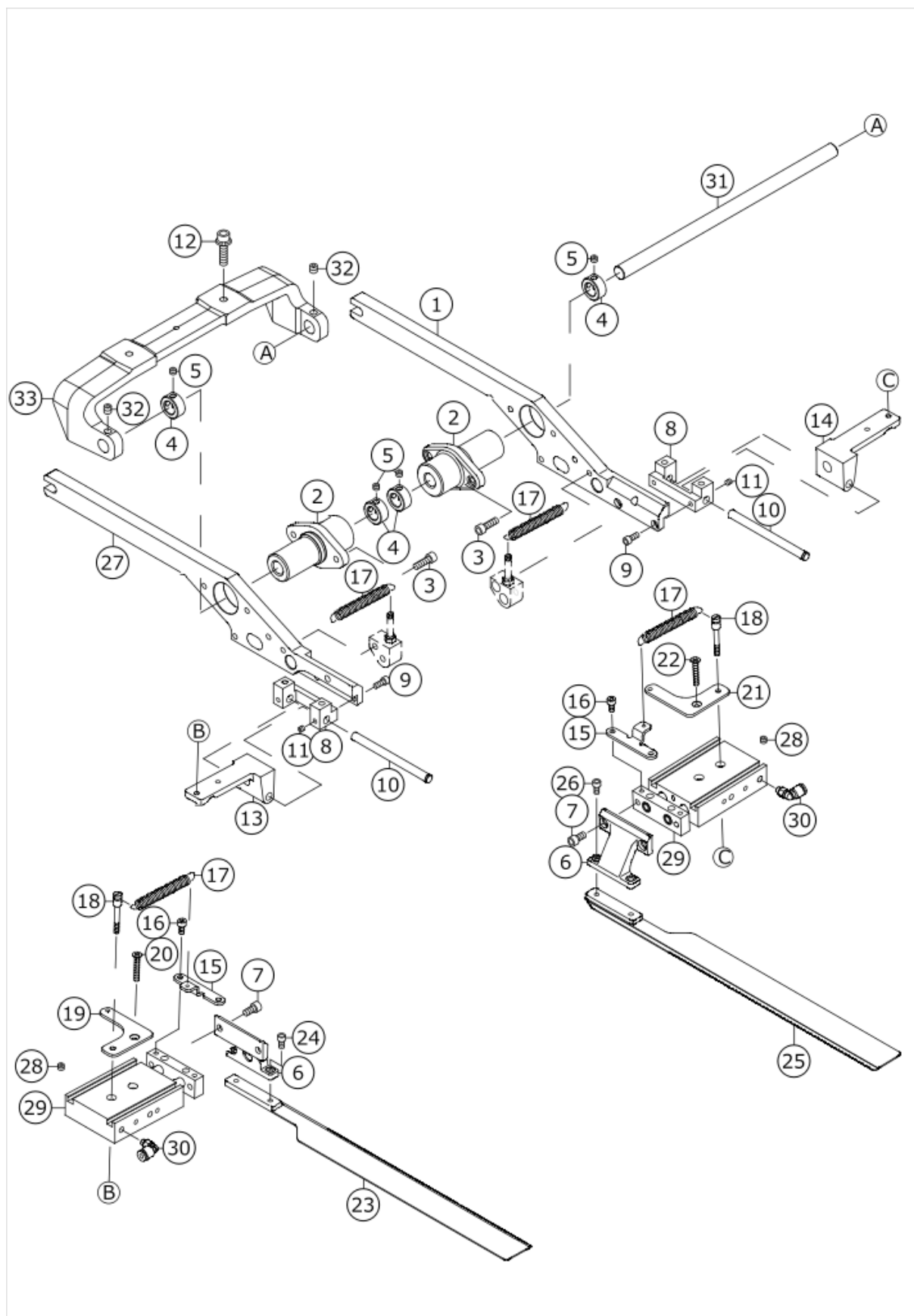
No.	品番	品名	備考	子部品	消耗品	個数
1	40145096	INT PCB ASSY				1.00
2	40043997	THREAD CHECK SENSOR ASM (L)				1.00
3	40043996	THREAD CHECK SENSOR ASM (R)				1.00
4	40149108	CLOTH SENSOR (DETECT) CORD ASM				1.00
5	40149109	CLOTH SENSOR (FLOOD) CORD ASM				1.00
6	40043982	STEP OUT SENSOR CORD ASM				1.00
7	40044001	BINDER OPEN SWITCH ASM				1.00
8	40043989	BINDER SENSOR RERAY COAD ASM				1.00
9	40043986	MARKING RIGHT 2NDORG CORD ASM				1.00
10	40043983	BIG PRESSER ORG SENSOR CORD ASM				1.00
11	40149712	AIRCYLINDER SENSOR CN79A				1.00
12	KE000000010	LAMP	OPTIONAL DEVICE			1.00
13	KE000000020	LAMP	OPTIONAL DEVICE			1.00
14	40078661	FLAP SENSOR N ASM L				1.00
15	40078662	FLAP SENSOR N ASM R				1.00
16	40043991	CORNER KNIFE DRAWER SW CORD ASM				1.00
17	40078664	FLAP SENSOR N ASM L SUB				1.00
18	40078663	BOBIN SENSOR N ASSY				1.00
19	40026945	NEE_SWITCH_ASSY				1.00
20	40078665	FLAP SENSOR N ASM R SUB	OPTIONAL DEVICE			1.00
21	40043994	STOP SW RERAY COAD ASM				1.00
22	32002354	SWITCH ASM.				1.00
23	40149643	PEDAL SENSOR CORD ASM				1.00
24	40006136	SENSOR A ASM				1.00
25	40145439	AIR_CYLINDER_SENSOR				1.00
26	40145440	AIR_CYLINDER_SENSOR				1.00
27	40145435	AIR_CYLINDER_SENSOR				1.00
28	40145436	AIR_CYLINDER_SENSOR				1.00
29	KE000000020	LAMP				1.00
30	KE000000010	LAMP				1.00
31	KE000000010	LAMP	OPTIONAL DEVICE			1.00
32	KE000000020	LAMP	OPTIONAL DEVICE			1.00
33	40058397	AC POWER CORD B ASM	FOR 1-PHASE 20 0 ~ 240V(JE,GE NERAL EXPORT)			1.00
34	40058398	AC POWER CORD C ASM	FOR 3-PHASE 20 0 ~ 240V(USE I N JAPAN,JUS)			1.00
35	40070548	AC POWER CORD E ASM	OPTIONAL DEVICE			1.00
36	HA005820000	SWITCH				1.00
37	40198335	SDC PCB ASSY				1.00
38	40045780	SA128_HIGH_VOLTAGE_TRANS	OPTIONAL DEVICE			1.00
39	40005423	POWER CORD ASSY	OPTIONAL DEVICE			1.00

40	40105475	FLT-CE PCB ASSY	FOR 1-PHASE 200 ~ 240V(JE,GENERAL EXPORT)			1.00
41	40161890	FLT-T PCB ASSY	FOR 3-PHASE 200 ~ 240V(USE IN JAPAN,JUS)			1.00
42	40153560	AC POWER CORD B ASM	FOR 1-PHASE 200 ~ 240V(JE,GENERAL EXPORT)			1.00
43	40032971	AC POWER CORD C ASM	FOR 3-PHASE 200 ~ 240V(USE IN JAPAN,JUS)			1.00
44	40114375	SDC-MAIN S CORD ASM				1.00
45	40114373	SDC-MAIN P1 CORD ASM				1.00
46	40194216	MAIN PCB A ASSY				1.00
47	40044892	AC POWER CORD D ASM	OPTIONAL DEVICE			1.00
48	HA003980000	SWITCH	OPTIONAL DEVICE			1.00
49	G6951172CA0	HITACHI POWER CORD COMPL.	OPTIONAL DEVICE			1.00
50	40032964	AIR VALVE CABLE ASM	OPTIONAL DEVICE			1.00
51	40043987	VACUUM SOLENOID VALVE CORD ASM				1.00
52	40032964	AIR VALVE CABLE ASM				1.00
53	40032964	AIR VALVE CABLE ASM				1.00
54	40149110	INT-I/F CORD A ASM				1.00
55	40065566	PANEL CABLE D ASM				1.00
56	40157653	IP-420V COMPLETE				1.00
57	40153316	FAN MOTOR ASSY				1.00
58	40043992	AIR SW CORD ASM				1.00
59	G56042540A0	FILTER REGULATER ASM.				1.00
60	40032964	AIR VALVE CABLE ASM	OPTIONAL DEVICE			1.00
61	40043985	STACKER CORD ASM				1.00
62	M8598610AA0	HEAD DETECT SWITCH COMPL.	OPTIONAL DEVICE			1.00
63	40150447	AIR_CYLINDER_SENSOR	OPTIONAL DEVICE			1.00
64	40145445	AIR_CYLINDER_SENSOR	OPTIONAL DEVICE			1.00
65	40044893	STACKER CORD B ASM	OPTIONAL DEVICE			1.00
66	40149354	AIR VALVE CABLE ASM	OPTIONAL DEVICE			1.00
67	40149111	INT-I/F CORD B ASM				1.00
68	40043988	ROLLER STACKER RERAY CORD B ASM				1.00
69	40044887	ROLLER STACKER RERAY CORD C ASM	OPTIONAL DEVICE			1.00
70	40040396	PMDC X1 PCB ASSY	OPTIONAL DEVICE			1.00



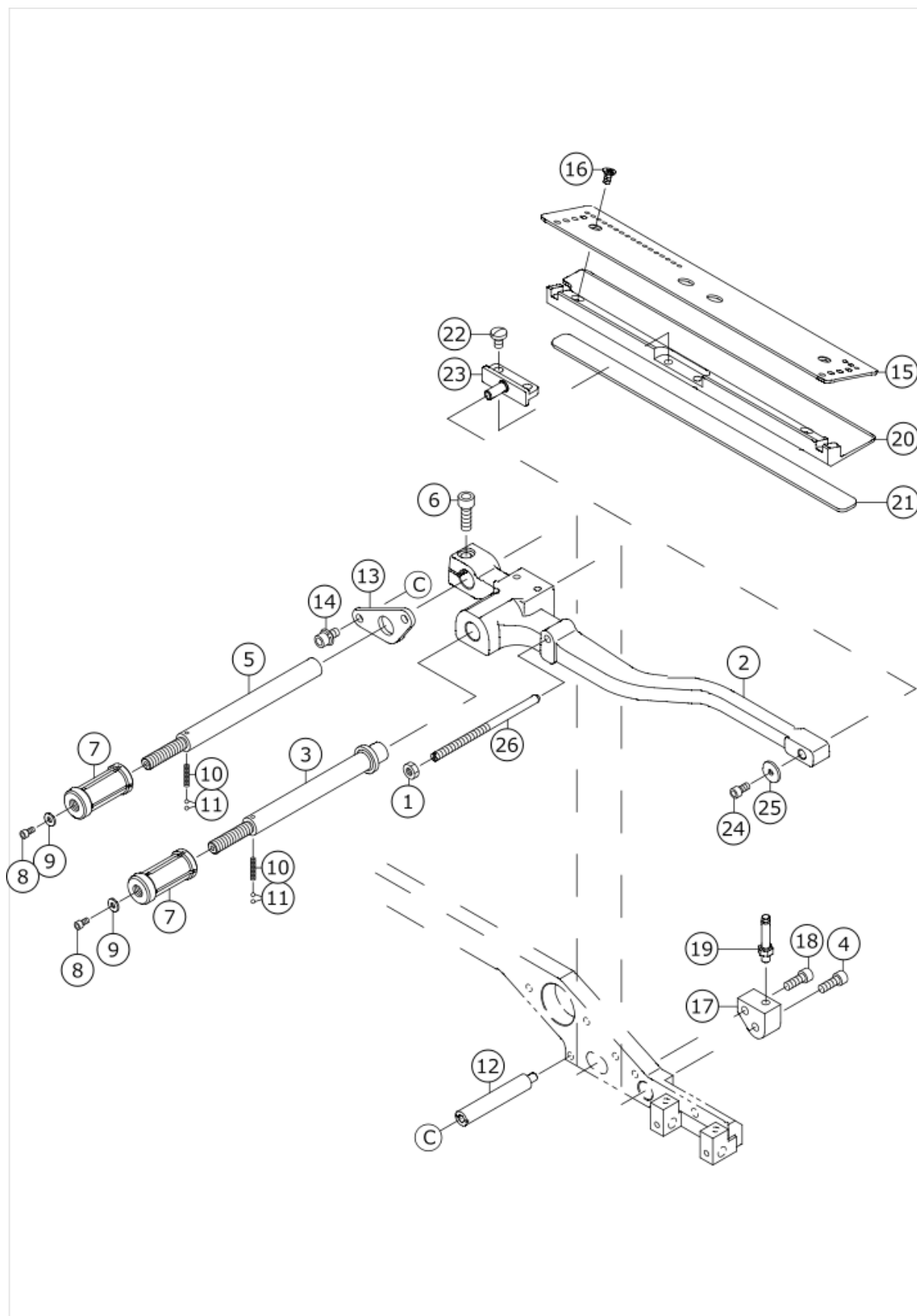
71	40114334	ROLLER STACKER RERAY CORD E ASM	OPTIONAL DEVICE			1.00
72	40044473	ROLLER STACKER MOTOR				1.00
73	40032964	AIR VALVE CABLE ASM	OPTIONAL DEVICE			1.00
74	40044632	AIRCYLINDER SENSOR CN284	OPTIONAL DEVICE			1.00
75	40062767	FIXED SIDE INDEX MOTOR RELAY CORD ASM				1.00
76	40062763	FIXED SIDE INDEX MOTOR SENSOR CORD ASM				1.00
77	40044473	CORNER KNIFE MOTOR				1.00
78	40062768	MOVEMENT SIDE INDEX MOTOR RELA CORD ASM				1.00
79	40062764	MOVEMENT SIDE INDEX MOTOR SENSOR ASM				1.00
80	40044473	CORNER KNIFE MOTOR				1.00
81	40062766	CORNER KNIFE CYLINDER SENSOR RELAY CORD				1.00
82	40062754	CORNER KNIFE CYLINDER SENSOR ASM				1.00
83	40176611	CENTER KNIFE MOTOR RELAY CORD				1.00
84	HM002290000	DC MOTOR				1.00
85	40059866	MOTOR ASSY B				1.00
86	40043979	MARKING RIGHT MOTOR RERAY CORD ASM				1.00
87	40149105	MARKING RIGHT MOTOR				1.00
88	40043975	CORNER KNIFE MOTOR RERAY CORD ASM				1.00
89	40149106	CORNER KNIFE MOTOR				1.00
90	40062765	CORNER KNIFE MOTOR RELAY CORD A ASM				1.00
91	40062753	CORNER KNIFE MOTOR SENSOR ASM				1.00
92	40149106	CORNER KNIFE MOTOR				1.00
93	40043993	REVERSE FEED MOTOR RERAY CORD ASM				1.00
94	40149105	BT MOTOR				1.00
95	40149113	BIG PRESSER MOTOR CORD ASM				1.00
96	40071945	STEPPING MOTOR				1.00
97	40035098	AIR SORENOID VALVE CORD				1.00
98	40062769	ADDITIONAL AIR SOLENOID VALVE CORD ASM				1.00
99	40138137	IPM550W MOTOR				1.00
100	HD003160000	CLOTH SENSOR (DETECT)				1.00
101	HD003150000	CLOTH SENSOR (FLOOD)				1.00

# CLAMP FOOT UNIT (1)



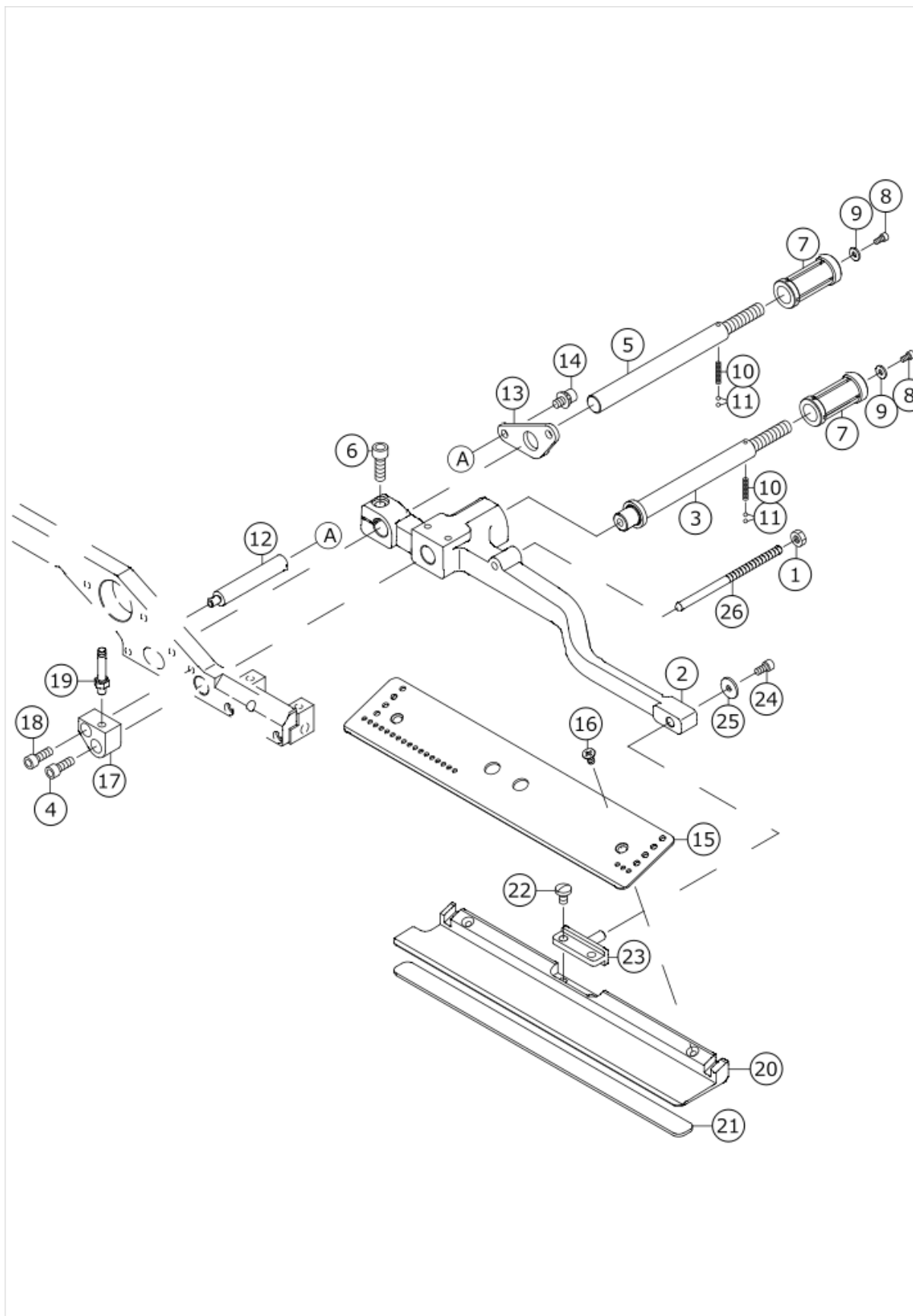
No.	品番	品名	備考	子部品	消耗品	個数
1	40026615	BASE_PRESSER_ARM_R				1.00
2	40034782	FULCLUM_BOSS				2.00
3	SM6051602TN	BOLT				4.00
4	CS1200981TP	THRUST COLLAR D=12 W=9				4.00
5	SM8050412TP	SCREW M5 L=4				4.00
6	40034804	FOLDING_PLATE_BKT				2.00
7	SM6051002TN	BOLT				4.00
8	40034800	TURNING_BASE_SUPPORT				2.00
9	SM6041002TN	BOLT				4.00
10	40034801	TURNING_BASE_SHAFT				2.00
11	SM8040412TP	SET SCREW M4 L=4				4.00
12	SL6062592TN	SCREW				2.00
13	40034802	TURNING_BASE_L				1.00
14	40034803	TURNING_BASE_R				1.00
15	40034810	FOLDING_PLATE_SPRING_BKT				2.00
16	SM6040802TN	SCREW				4.00
17	40037126	FOLDING_PLATE_SPRING_A				4.00
18	40034807	SPRING_HOLD_PIN				2.00
19	40034808	SPRING_HOLD_PLATE_L				1.00
20	SM1042501SC	SCREW M4X0.7 L=25				1.00
21	40034809	SPRING_HOLD_PLATE_R				1.00
22	SM1042501SC	SCREW M4X0.7 L=25				1.00
23	40062488	THIN_CLOTH_FOLDING_PLATE_L				1.00
24	SM6040802TN	SCREW				2.00
25	40062487	THIN_CLOTH_FOLDING_PLATE_R				1.00
26	SM6040802TN	SCREW				2.00
27	40026614	BASE_PRESSER_ARM_L				1.00
28	40151167	PLUG				2.00
29	PA1502007A0	AIR CYLINDER				2.00
30	PJ304040504	ELBOW UNION				2.00
31	40026371	PIVOT_SHAFT				1.00
32	SM8060612TP	SCREW M6 L=6				2.00
33	40145354	PIVOT_BASE VE				1.00

# CLAMP FOOT UNIT (2)



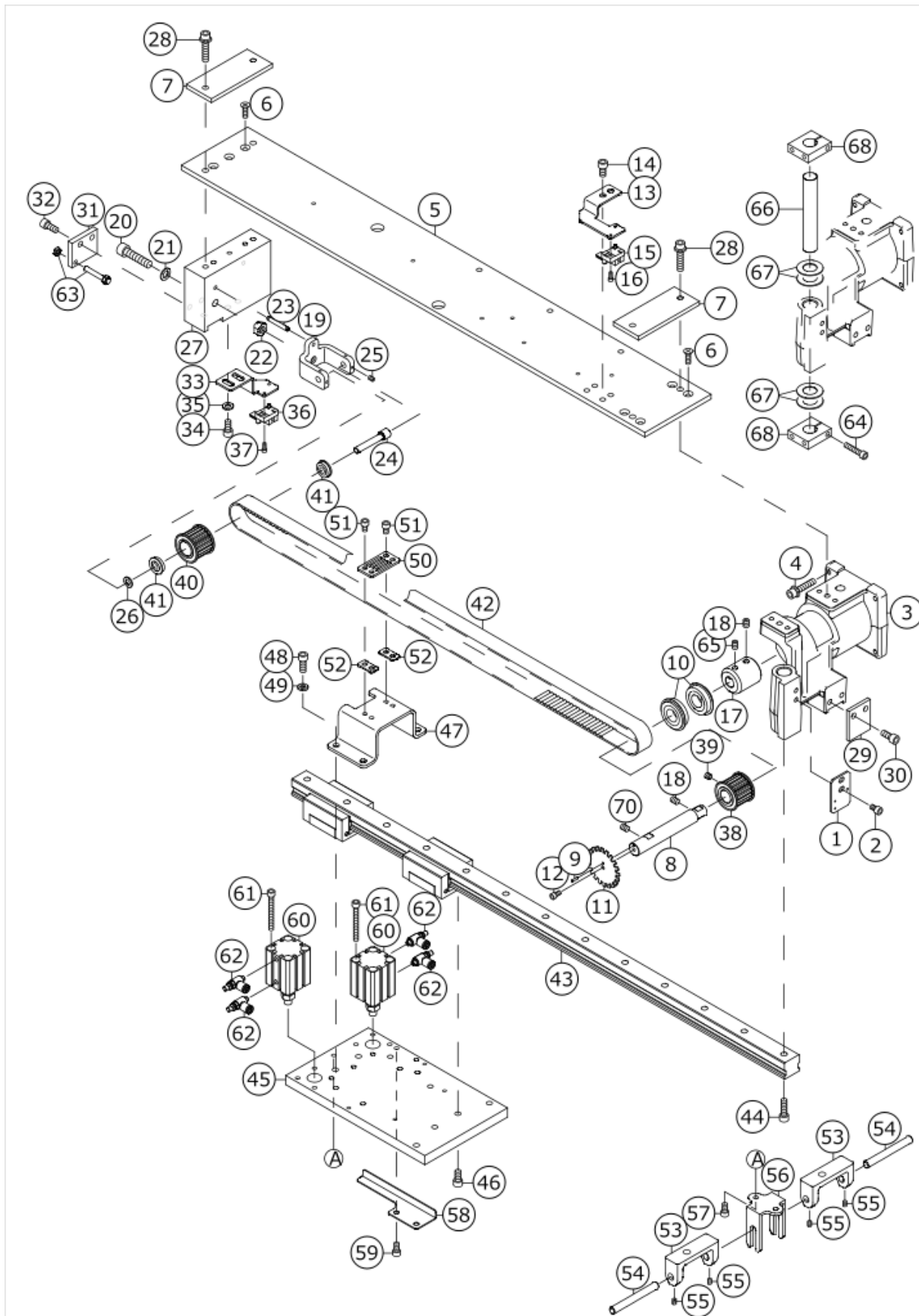
No.	品番	品名	備考	子部品	消耗品	個数
1	NM6050001SC	NUT M5				1.00
2	40034784	GARMENT_CLAMP_ARM_L				1.00
3	40034786	SLIDING_SHAFT_A				1.00
4	SM6051402TN	HEXAGONAL-HOLE BOLT M5 L=14				1.00
5	40034787	SLIDING_SHAFT_B				1.00
6	SM6061802TN	BOLT				1.00
7	40034788	RATCHET_KNOB				2.00
8	SM6030602TN	HEX SCREW M3 X 6				2.00
9	B1829232000	WASHER				2.00
10	40058597	RATCHET_SPRING				2.00
11	B1410526000	BALL				4.00
12	40034791	STOPPER_STAD				2.00
13	40034792	STOPPER_PLATE				1.00
14	SL6051092TN	BOLT				2.00
15	40034820	FLAP_BASE_L				1.00
16	SM1040801SC	SCREW M4X0.7 L=8				2.00
17	40034794	JYJOINT_PIN_BKT_L				1.00
18	SM6051402TN	HEXAGONAL-HOLE BOLT M5 L=14				1.00
19	40034796	JOINT_PIN				1.00
20	40034798	GARMENT_CLAMP_L				1.00
21	40034825	GARMENT_CLAMP_RUBBER				1.00
22	SM7050850TP	SCREW M5 L=8				2.00
23	40034797	CLAMP_PIVOT_PIN				1.00
24	SM6040802TN	SCREW M4X0.7 L=8				1.00
25	B1707555000	WASHER				1.00
26	40034812	FOLDING_PLATE_STOPPER				1.00

# CLAMP FOOT UNIT (3)



No.	品番	品名	備考	子部品	消耗品	個数
1	NM6050001SC	NUT M5				1.00
2	40034785	GARMENT_CLAMP_ARM_R				1.00
3	40034786	SLIDING_SHAFT_A				1.00
4	SM6051402TN	HEXAGONAL-HOLE BOLT M5 L=14				1.00
5	40034787	SLIDING_SHAFT_B				1.00
6	SM6061802TN	BOLT				1.00
7	40034788	RATCHET_KNOB				2.00
8	SM6030602TN	HEX SCREW M3 X 6				2.00
9	B1829232000	WASHER				2.00
10	40058597	RATCHET_SPRING				2.00
11	B1410526000	BALL				4.00
12	40034791	STOPPER_STAD				2.00
13	40034792	STOPPER_PLATE				1.00
14	SL6051092TN	BOLT				2.00
15	40034821	FLAP_BASE_R				1.00
16	SM1040801SC	SCREW M4X0.7 L=8				2.00
17	40034795	JYJOINT_PIN_BKT_R				1.00
18	SM6051402TN	HEXAGONAL-HOLE BOLT M5 L=14				1.00
19	40034796	JOINT_PIN				1.00
20	40034799	GARMENT_CLAMP_R				1.00
21	40034825	GARMENT_CLAMP_RUBBER				1.00
22	SM7050850TP	SCREW M5 L=8				2.00
23	40034797	CLAMP_PIVOT_PIN				1.00
24	SM6040802TN	SCREW				1.00
25	B1707555000	WASHER				1.00
26	40034812	FOLDING_PLATE_STOPPER				1.00

# CLAMP FOOT FEED UNIT

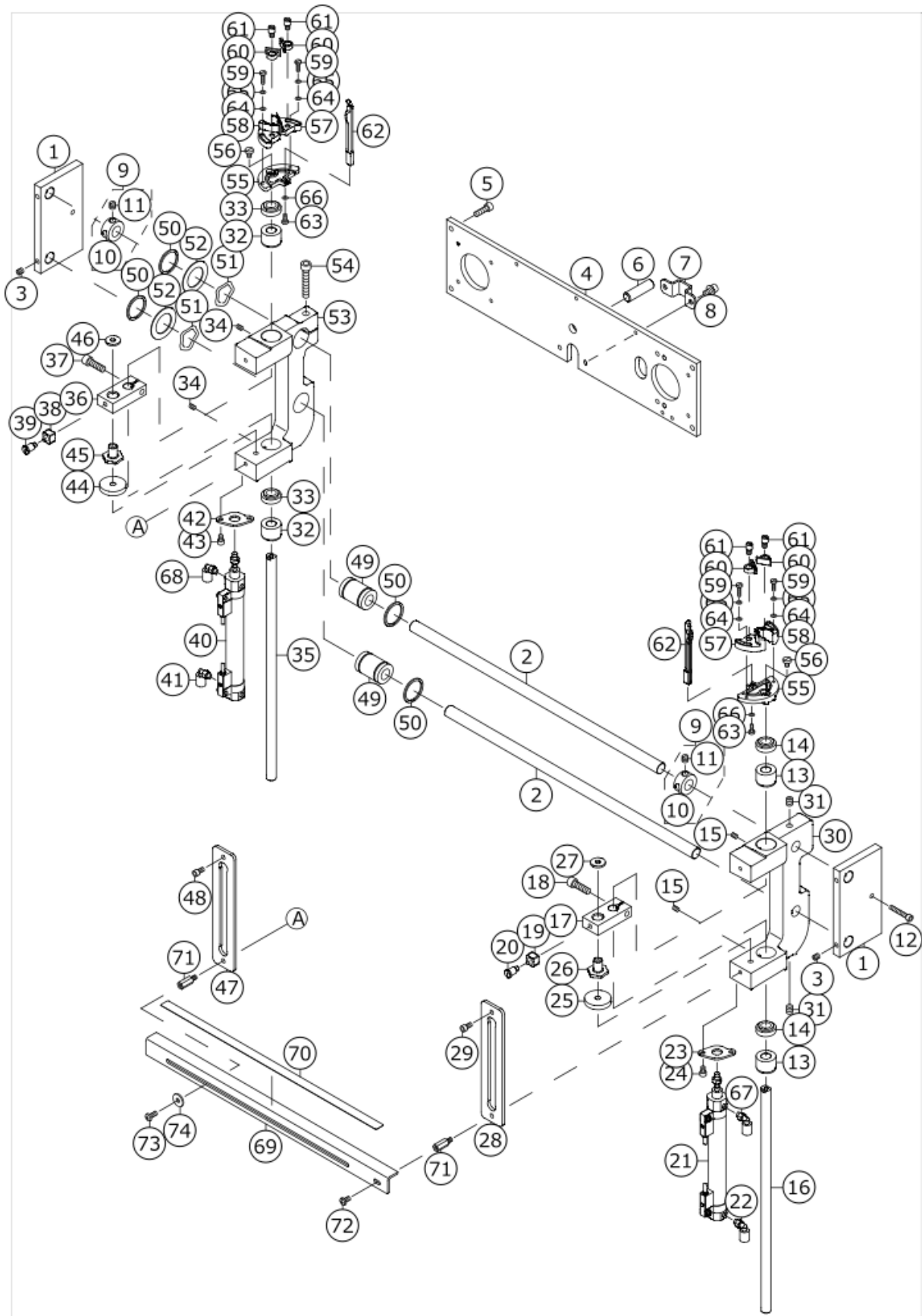




No.	品番	品名	備考	子部品	消耗品	個数
1	40034662	SENSOR PLATE				1.00
2	SM6051002TP	SCREW M5X0.8 L=10				2.00
3	40145357	CLAMP FOOT BASE				1.00
4	SL6063092TN	SCREW M6 L=30				4.00
5	40157583	CLAMP FOOT PLATE				1.00
6	SM1051601SC	SCREW M5X0.8 L=16				7.00
7	40026349	CLAMP_FOOT_SPACER				2.00
8	40026363	CLAMP_FOOT_MAIN_SHAFT				1.00
9	PS0200082KH	SPRING PIN				1.00
10	SB115000700	BALL BEARING				2.00
11	40033800	CLAMP_FEED_DETECTIVE_PLATE				1.00
12	SM6040802TN	SCREW M4X0.7 L=8				1.00
13	40033801	CLAMP_FEED_SENSOR_BKT				1.00
14	SM6060802TN	BOLT				2.00
15	HD00057000A	PHOTO SENSOR				1.00
16	SM6030802TN	BOLT				1.00
17	40026364	COUPLING				1.00
18	SM8060812TP	SCREW M6 L=8				2.00
19	40145363	FOLLOW PULLEY BKT				1.00
20	SM6083502TN	SCREW				1.00
21	B255728000A	WASHER FOR DRIVING ARM				1.00
22	NM6080001SC	NUT M8X1.25				1.00
23	PS0400322KP	SPRING PIN 4.0X32				1.00
24	40026366	FOLLOW_PULLEY_SHAFT				1.00
25	SM8030412TP	SCREW				4.00
26	B4328220000	WASHER				1.00
27	40026367	CLAMP_FOOT_BLOCK				1.00
28	SL6063092TN	SCREW M6 L=30				4.00
29	40026368	LM_STOPPER_F				1.00
30	SM6061402TP	SCREW M6 L=14				2.00
31	40026369	LM_STOPPER_R				1.00
32	SM6061402TP	SCREW M6 L=14				2.00
33	40026370	SENSOR_BKT				1.00
34	SM6061202TP	SCREW M6 L=12				2.00
35	WP0641600SC	WASHER 6.4X12.5X1.6				2.00
36	HD00057000A	PHOTO SENSOR				1.00
37	SM6030802TN	BOLT				1.00
38	40145361	DRIVING PULLEY				1.00
39	SM8060612TP	SCREW M6 L=6				2.00
40	40145362	FOLLOW PULLEY				1.00
41	SB107000500	BEARING				2.00
42	40145360	TIMING BELT				1.00
43	40145355	LM GUIDE				1.00
44	SM6062002TN	SCREW M6 L=20				2.00
45	40026606	SLIDE_BASE				1.00
46	SM6061202TP	SCREW M6 L=12				4.00
47	40026607	BELT_CLAMP_BASE				1.00
48	SM6061602TN	SCREW M6 L=16				4.00
49	WP0612066SP	WASHER 6.1X11X2				4.00
50	40026609	BELT_CLAMP				1.00

51	SM6051002TP	SCREW M5X0.8 L=10				4.00
52	40040845	BELT_CLAMP_SPACER				2.00
53	40026611	LIFTING_BLOCK				2.00
54	40026612	LIFTING_SHAFT				2.00
55	SM8040612TP	SCREW M4 L=6				4.00
56	40026613	LIFTING_GUIDE				1.00
57	SM6051002TP	SCREW M5X0.8 L=10				2.00
58	40026617	SENSOR_PLATE				1.00
59	SM6051002TP	SCREW M5X0.8 L=10				2.00
60	PA2001701AC	AIR CYLINDER				2.00
61	SM6054502TN	SCREW M5 L=45				8.00
62	PC010508C00	SPEED CONTROLLER				4.00
63	40026822	STOPPER_BOLT				1.00
64	SM6052502TP	SCREW M5X0.8 L=25				2.00
65	SM8060802TP	SCREW M6 L=8				2.00
66	40026341	PIVOT_SHAFT				1.00
67	B1220771000	THRUST WASHER A				4.00
68	40026329	BINDER_PIVOT_BASE_A				2.00

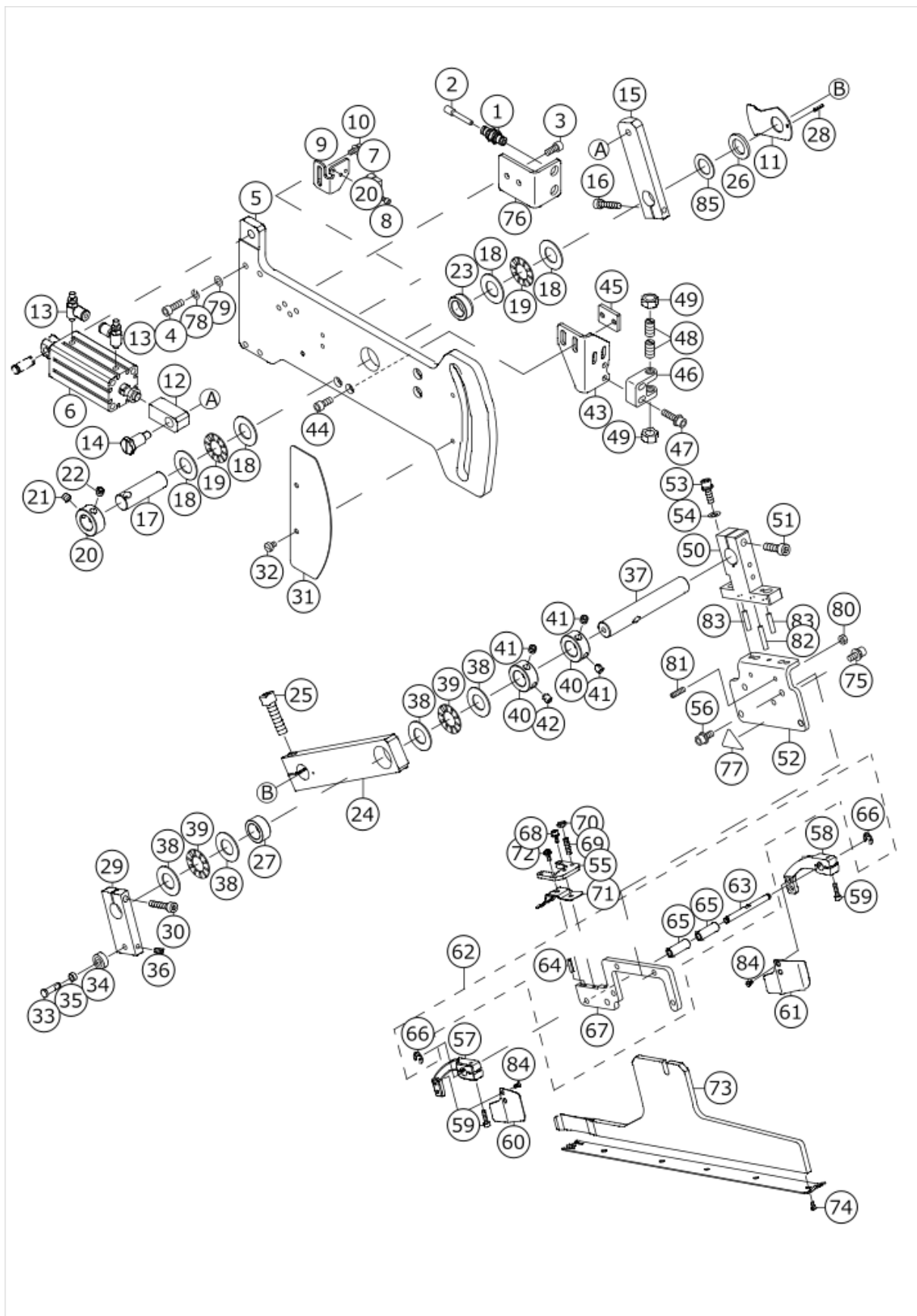
# CORNER KNIFE UNIT



No.	品番	品名	備考	子部品	消耗品	個数
1	40023197	BASE_B				2.00
2	40023199	SLIDE_SHAFT				2.00
3	SM8050602TP	SCREW M5 L=6				4.00
4	40023196	BASE_A				1.00
5	SM6051602TN	BOLT				4.00
6	PH1000332SH	PIN 10X33				1.00
7	40033792	FIXED_PLATE				1.00
8	SL6051092TN	BOLT				2.00
9	CS1201010SH	THRUST COLLAR ASM. D=12 W=10				2.00
10	CS1201011SH	THRUST COLLAR D=12 W=10		*		1.00
11	SS8660610TP	SCREW 1/4-40 L=6		*		2.00
12	SM6042502TN	SCREW M4X0.7 L=25				1.00
13	40023211	METAL_A				2.00
14	40059362	DUST_SEAL				2.00
15	SM8040502TP	SCREW M4X0.7 L=5				2.00
16	40023212	ELEVATING_SHAFT				1.00
17	40023213	LIFTING_BRACKET				1.00
18	SM6062002TN	SCREW M6 L=20				1.00
19	11214301	ROLLER				1.00
20	40023217	SHOULDER_SCREW				1.00
21	40023214	CYLINDER_A				1.00
22	PJ304040504	ELBOW UNION				1.00
23	40023215	CYLINDER_BRACKET				1.00
24	SM6040602TN	BOLT				2.00
25	17835307	CUSHION B				1.00
26	40023216	CYLINDER_NUT				1.00
27	WP0522016SH	WASHER				1.00
28	40023218	ELEVATING_GUIDE_PLATE				1.00
29	SM6040802TN	SCREW				1.00
30	40023209	ELEVATING_BRACKET_A				1.00
31	SM8060812TP	SCREW M6 L=8				2.00
32	40023211	METAL_A				2.00
33	40059362	DUST_SEAL				2.00
34	SM8040502TP	SCREW M4X0.7 L=5				2.00
35	40023212	ELEVATING_SHAFT				1.00
36	40023213	LIFTING_BRACKET				1.00
37	SM6062002TN	SCREW M6 L=20				1.00
38	11214301	ROLLER				1.00
39	40023217	SHOULDER_SCREW				1.00
40	40033799	CYLINDER_B				1.00
41	PJ304040504	ELBOW UNION				1.00
42	40023215	CYLINDER_BRACKET				1.00
43	SM6040602TN	BOLT				2.00
44	17835307	CUSHION B				1.00
45	40023216	CYLINDER_NUT				1.00
46	WP0522016SH	WASHER				1.00
47	40023218	ELEVATING_GUIDE_PLATE				1.00
48	SM6040802TN	SCREW				1.00
49	SB712000300	BEARING				2.00
50	RC2651218KP	RETAINING RING				4.00

51	WZ2200300KP	WAVED WASHER				2.00
52	11419504	THRUST COLLAR A				2.00
53	40023210	ELEVATING_BRACKET_B				1.00
54	SM6063502TN	HEXAGONAL-HOLE BOLT M6 L=35				1.00
55	40023204	KNIFE HOLDER_BASE				2.00
56	SM6040600SP	SCREW M4 L=6				2.00
57	40023171	KNIFE HOLDER_A				2.00
58	40023172	KNIFE HOLDER_B				2.00
59	SM6031210SC	SCREW M3X0.5 L=12				4.00
60	40023173	KNIFE HOLDER_C				4.00
61	40023170	ECCENTRIC_PIN				4.00
62	40023175	KNIFE_GUIDE				2.00
63	SM6030800SP	SCREW M3X0.5 L=8				2.00
64	WP0320500SC	WASHER M3				4.00
65	WS0310002KN	SPRING WASHER M3				4.00
66	WP0320500SC	WASHER M3				2.00
67	PJ304040506	ELBOW UNION				1.00
68	PJ304040506	ELBOW UNION				1.00
69	40174189	SCALE_PLATE				1.00
70	40174543	SCALE				1.00
71	E3724715000	VCS STUD A				2.00
72	SM5040855SN	SCREW				1.00
73	SM5041055SN	SCREW M4X10				1.00
74	WP0461516SH	WASHER				1.00

# BINDER UNIT

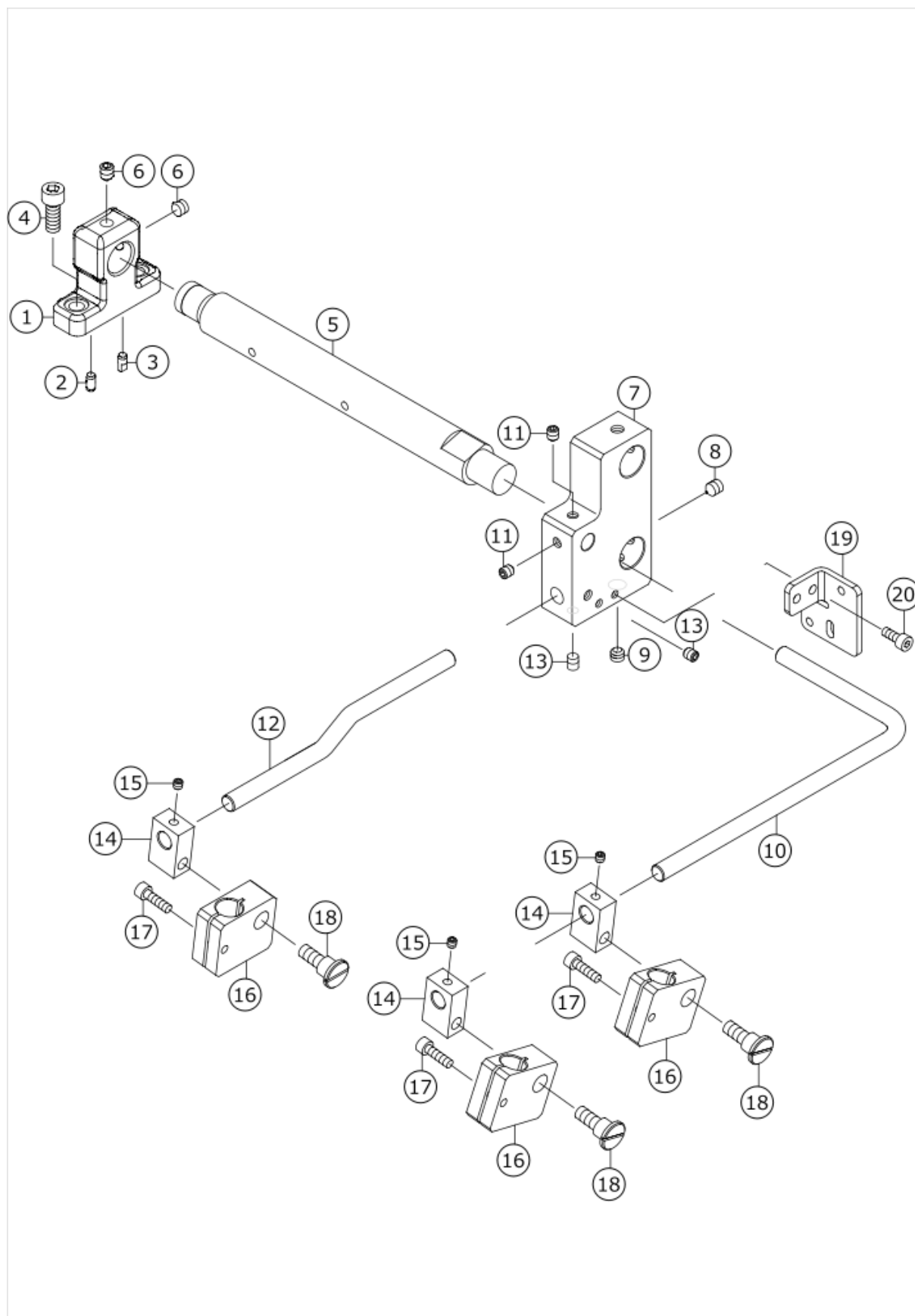


No.	品番	品名	備考	子部品	消耗品	個数
1	PJ230004200	UNION				2.00
2	PX500014000	PLUG				2.00
3	SM6051202TN	SCREW M5X0.8 L=12				2.00
4	SM6051602TN	BOLT				4.00
5	40026327	BINDER_BASE_PLATE				1.00
6	PA2005016A0	AIR CYLINDER				1.00
7	HD00057000A	PHOTO SENSOR				1.00
8	SM6030802TN	BOLT				1.00
9	40039890	BINDER_SENSOR_BKT				1.00
10	SL6041092TN	SCREW				2.00
11	40039891	BINDER_SENSOR_PLATE				1.00
12	40039889	CYLINDER_JOINT_A				1.00
13	PC010523000	SPEED CONTROLLER				2.00
14	SD1001526TP	SHOULDER SCREW				1.00
15	40026331	BINDER_PLATE_A				1.00
16	SM6052502TP	SCREW M5X0.8 L=25				1.00
17	40026345	SHAFT_A				1.00
18	B1220771000	THRUST WASHER A				4.00
19	B1211980000	UPPER SHAFT THRUST BEARING				2.00
20	CS1501171TP	THRUST COLLAR D=15 W=11				1.00
21	SM8060612TP	SCREW M6 L=6				1.00
22	SM8060842TP	SCREW M6 L=8				1.00
23	40026340	METAL				1.00
24	40026332	BINDER_PLATE_B				1.00
25	SM6083002TN	SCREW M8 L=30				1.00
26	WP1502500SC	WASHER 15X24X2.5				1.00
27	SB315000200	BEARING				1.00
28	PS0200102KH	SPRING PIN 2.0X10				1.00
29	40026333	BINDER_PLATE_C				1.00
30	SM6052502TN	HEXAGONAL-HOLE BOLT				1.00
31	40127437	CAM_COVER				1.00
32	SM6040610SC	SCREW M4X0.7 L=6				2.00
33	40026326	BEARING_SHAFT				1.00
34	SB105000300	BALL BEARING				1.00
35	B1650210000	DRIVING LINK ROLLER				1.00
36	SM8041012TP	SCREW M4 L=10				1.00
37	40026346	SHAFT_B				1.00
38	B1220771000	THRUST WASHER A				4.00
39	B1211980000	UPPER SHAFT THRUST BEARING				2.00
40	CS1501171TP	THRUST COLLAR D=15 W=11				2.00
41	SM8060612TP	SCREW M6 L=6				3.00
42	SM8060842TP	SCREW M6 L=8				1.00
43	40026343	ROCK_PLATE				1.00
44	SM6051202TN	SCREW M5X0.8 L=12				2.00
45	40038025	ROCK_PLATE_BKT				1.00
46	40072875	ROCK_BASE				1.00
47	SL6052092TN	SCREW				2.00
48	40035107	BALL_PLUNGER_H				2.00
49	NM6080001SC	NUT M8X1.25				2.00
50	40081412	BINDER_FITTING_BASE_A				1.00

51	SM6062002TN	SCREW M6 L=20				1.00
52	40081413	BINDER_FITTING_BASE_B				1.00
53	SL6052092TN	SCREW				2.00
54	WP0611626SP	WASHER 15X6X1.6				2.00
55	40034492	WORKPIECE_GUIDE_STOPPER				1.00
56	SL6051292TN	BOLT				4.00
57	40026622	CLOTH_GUIDE_ARM_L				1.00
58	40026623	CLOTH_GUIDE_ARM_R				1.00
59	SM6031202TN	BOLT				2.00
60	40026624	CLOTH_GUIDE_L				1.00
61	40026625	CLOTH_GUIDE_R				1.00
62	40100310	BINDER_FITTING_BASE_C_ASM.				1.00
63	40034490	GUIDE_PIN		*		1.00
64	SM8031212TP	SCREW		*		1.00
65	40034491	ARM_BUSHING		*		2.00
66	RE0320000K0	E-RING 3.2		*		2.00
67	40081414	BINDER_FITTING_BASE_C		*		1.00
68	SL6030892TN	SCREW				1.00
69	SM8041552TP	SCREW M4 L=15				4.00
70	NM6040001SC	NUT M4				4.00
71	40034493	WORKPIECE_GUIDE_SPRING_18				1.00
72	SL4030891SC	SCREW M3X8				1.00
73	40063960	BINDER BASE				1.00
74	SM1850600SP	SCREW				10.00
75	SL6051292TN	SCREW M5 L=12				1.00
76	40034665	CONNECTOR PLATE				1.00
77	CM300200002	CAUTION LABEL(25)				1.00
78	WS0510002KR	SPRING WASHER M5				4.00
79	WP0550800SP	WASHER 5.5X10X0.8				4.00
80	NM6040001SC	NUT M4				2.00
81	SM8041552TP	SCREW M4 L=15				2.00
82	PH0400185S0	PARALLEL PIN				1.00
83	PH0400225S0	PARALLEL PIN				2.00
84	SS1060610SP	SCREW 3/32-56 L=5.5				4.00
85	B125578100B	WASHER B				1.00

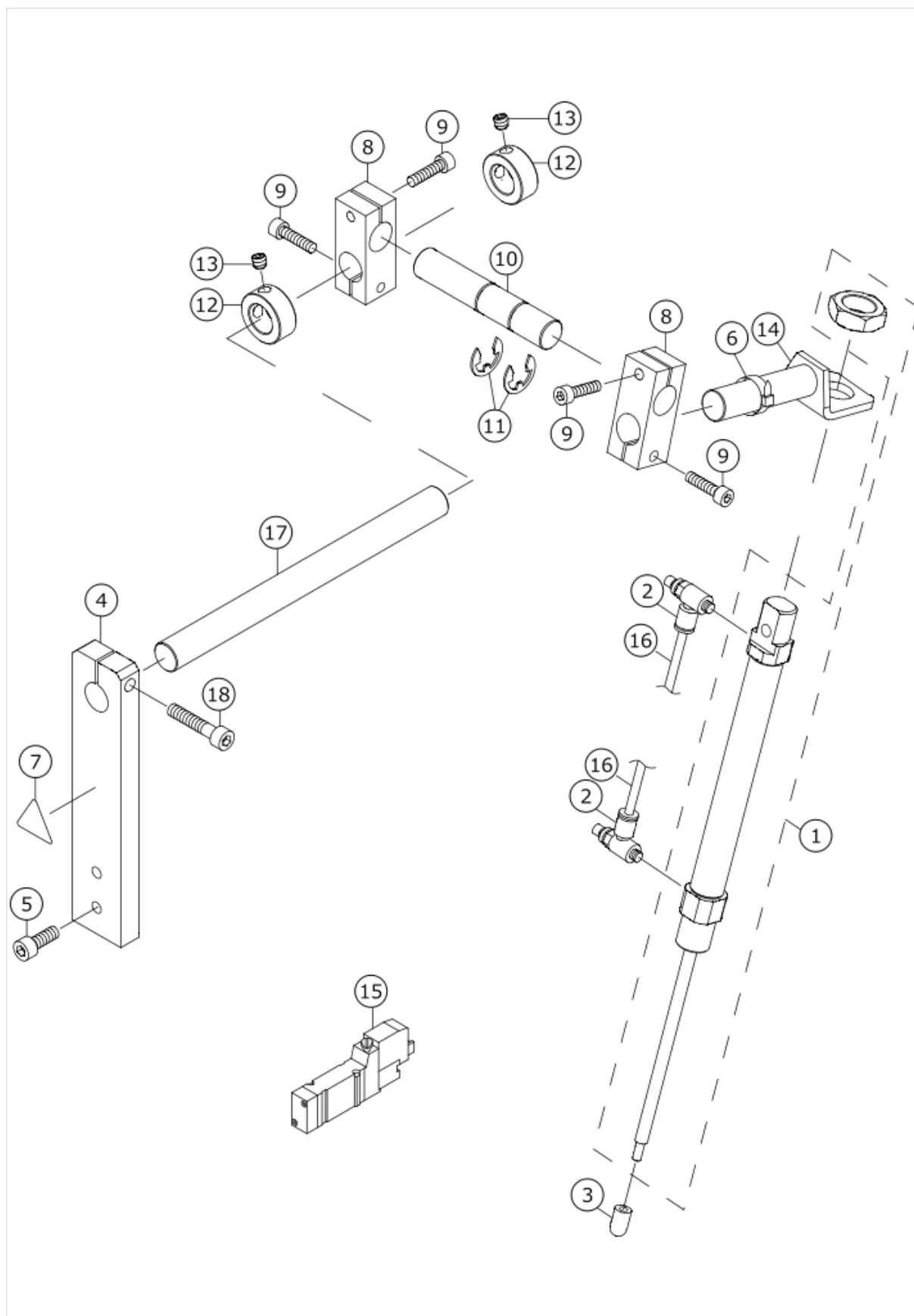


# MARKING LIGHT UNIT




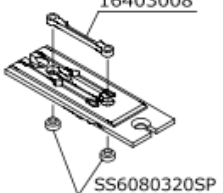
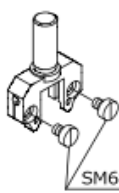
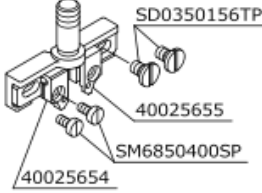
No.	品番	品名	備考	子部品	消耗品	個数
1	40033997	MARKING_LIGHT_BASE				1.00
2	13302500	DOWEL_PIN_2				1.00
3	13301908	DOWEL_PIN				1.00
4	SM6061602TN	SCREW M6 L=16				2.00
5	40033998	MARKING_SHAFT				1.00
6	SM8060552TP	SCREW M6 L=5				2.00
7	40178561	BASE_BLOCK				1.00
8	SM8060842TP	SCREW M6 L=8				1.00
9	SM8060552TP	SCREW M6 L=5				1.00
10	40034000	FIXED_SHAFT				1.00
11	SM8050602TP	SCREW M5 L=6				2.00
12	40145374	FIXED_SHAFT				1.00
13	SM8050602TP	SCREW M5 L=6				2.00
14	40034002	FIXED HOLDER_B				3.00
15	SM8040412TP	SCREW M4X4				3.00
16	40034001	FIXED HOLDER_A				3.00
17	SM6041402TN	SCREW M4X0.7 L=14				3.00
18	SD0900706TP	SHOULDER SCREW D=9 H=7				3.00
19	40145375	SWITCH_BRACKET				1.00
20	SM6041002TN	SCREW				2.00





# SA-117N:CLOTH LENGTHEN DEVICE



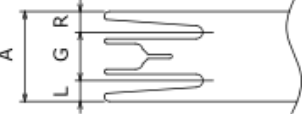




No.	品番	品名	備考	子部品	消耗品	個数
1	PA1609501AC	AIR CYLINDER				1.00
2	PC010508C00	SPEED CONTROLLER				2.00
3	40034733	CLOTH LENGTHEN EDGE				1.00
4	40034499	CLOTH LENGTHEN SHAFT BASE				1.00
5	SM6061602TN	SCREW M6 L=16				2.00
6	EA9500B0100	CABLE BAND				6.00
7	CM300200002	CAUTION LABEL(25)				1.00
8	40039743	CLOTH_LENGTHEN_BRACKET_D				2.00
9	SM6052002TN	BOLT				4.00
10	40038103	CLOTH_LENGTHEN_BRACKET_SHAFT				1.00
11	RE1200000K0	E-RING 12				2.00
12	CS1501171TP	THRUST COLLAR D=15 W=11				2.00
13	SM8060612TP	SCREW M6 L=6				2.00
14	40039744	CLOTH_LENGTHEN_BKT_ASSY				1.00
15	PV150104000	5-PORT SOKENOID VALVE				1.00
16	BT0400251EB	URETHANE HOSE BLACK				1.00
17	40034672	CLOTH LENGTHEN DEVICE SHAFT				1.00
18	SM6063002TN	SCREW M6 L=30				1.00

# GAUGE COMPONENTS

Needle gauge 針幅	Needle plate 針板	Needle clamp (for delivery) 針留 (出荷用)	Needle clamp (for replacement) 針留 (交換用)			
						
mm	Ref.No.	Part No.	Ref.No.	Part No.	Ref.No.	Part No.
10mm	①	400-46301	③	400-46314	⑤	400-45696
12mm	②	400-46302	④	400-46315		

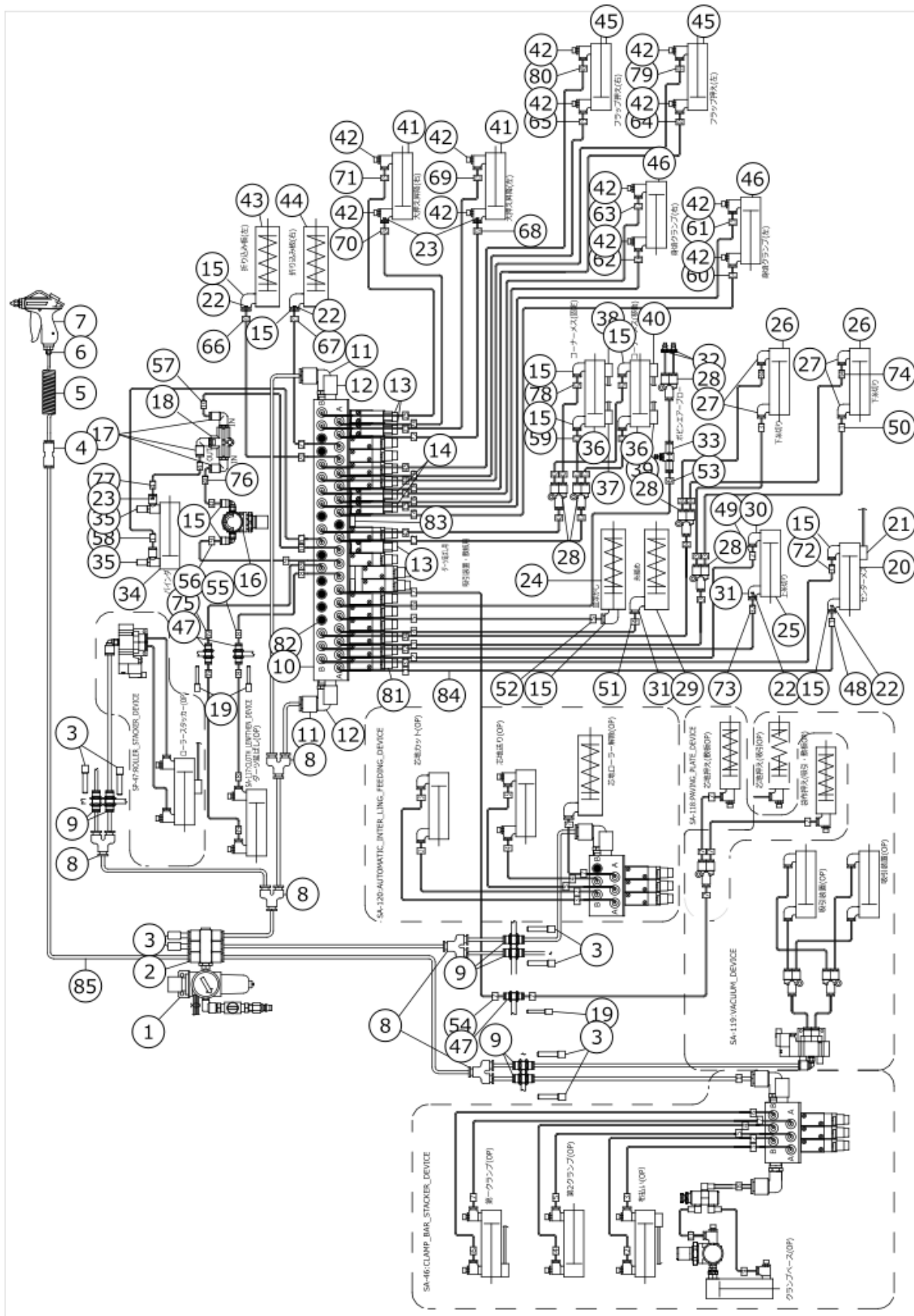
Needle gauge 針幅	Needle thread knife 上糸切りメス	Needle thread counter knife 上糸切り固定メス	Needle thread clamp plate 上糸クランプ板			
						
mm	Ref.No.	Part No.	Ref.No.	Part No.	Ref.No.	Part No.
10mm	⑥	400-23020	⑧	164-09906	⑨	400-33815
12mm	⑦	400-23020				

Needle gauge 針幅	Sewing table 縫製テーブル	Double welt patch plate 両玉定規					
							
mm	Ref.No.	Part No.	Ref.No.	Part No.	L	R	A
10mm	⑩	400-26357	⑪	400-26627	4.3	4.3	18.6
12mm			⑫	400-35331	5.3	5.3	22.6

Needle gauge 針幅	Corner knife コーナーメス	
		
mm	Ref.No.	Part No.
10,12mm	⑬	166-07301
	⑭	166-07400

No.	品番	品名	備考	子部品	消耗品	個数
1	40046301	NEEDLE_PLATE_10_ASM.				1.00
2	40046302	NEEDLE_PLATE_12_ASM.				1.00
3	40046314	NEEDLE_BAR_CLAMP_10_ASM.				1.00
4	40046315	NEEDLE_BAR_CLAMP_12_ASM.				1.00
5	40045696	PH=NEEDLE_CLAMP_BASE_8_14				1.00
6	40023020	UPPER_KNIFE_10_12				1.00
7	40023020	UPPER_KNIFE_10_12				1.00
8	16409906	NEEDLE THREAD COUNTER KNIFE				1.00
9	40033815	CLAMP_PLATE				1.00
10	40026357	SEWING_TABLE_UNIT_8_14				1.00
11	40026627	WELT_PATCH_PLATE_10G_W				1.00
12	40035331	WELT_PATCH_PLATE_12G_W				1.00
13	16607301	CORNER KNIFE A1				1.00
14	16607400	CORNER KNIFE A2				1.00

# PNEUMATIC CIRCUIT DIAGRAM



No.	品番	品名	備考	子部品	消耗品	個数
1	G56042540A0	FILTER REGULATOR ASM.				1.00
2	PJ309065201	TRIPLE BRANCH UNIVERSAL ELBOW				1.00
3	PX950001000	PLUG				8.00
4	PJ303060001	STRAIGHT UNION				1.00
5	G5458116000	CURLED TUBE				1.00
6	PJ301065201	HALF UNION 6XPT1/4				1.00
7	40044823	AIR_GUN				1.00
8	PJ308060003	Y UNION				5.00
9	PJ230006200	UNION				6.00
10	40035097	MANIFOLD_VALVE_ASSY				1.00
11	PJ304065101	ELBOW UNION 6XPT1/8				2.00
12	PX055104000	SILENCER (PT1/8)				4.00
13	PV150106000	5-PORT SOLENOID VALVE				3.00
14	PV150105000	5-PORT SOLENOID VALVE				2.00
15	PJ304040504	ELBOW UNION				11.00
16	PF0205010C0	AIR REGULATOR				1.00
17	PJ304045102	ELBOW UNION C				3.00
18	PV205101000	SHUTTLE VALVE				1.00
19	PX500014000	PLUG				3.00
20	PA1602012A0	AIR CYLINDER				1.00
21	40044626	AIRCYLINDER SENSOR CN79A				1.00
22	PC022403F00	INSERT RING				4.00
23	PC022403E00	INSERT RING				3.00
24	PA1000512A0	AIR CYLINDER				1.00
25	PA1604005B0	ARI CYLINDER				1.00
26	PA1001521A0	ARI CYLINDER				2.00
27	PJ046052503	HOSE ELBOW				4.00
28	PJ308040002	QUICK COUPLING				5.00
29	PA1002506A0	CYLINDER				1.00
30	PJ304040501	ELBOW UNION 4XM5				1.00
31	PJ304040506	ELBOW UNION				2.00
32	PJ032039001	CONNECTOR				2.00
33	PC012406000	SPEED CONTROLLER				1.00
34	PA2005016A0	AIR CYLINDER				1.00
35	PC010523000	SPEED CONTROLLER				2.00
36	PA1610004B0	AIR CYLINDER				2.00
37	40044627	AIRCYLINDER SENSOR CN79B				1.00
38	40044628	AIRCYLINDER SENSOR CN80B				1.00
39	40044629	AIRCYLINDER SENSOR CN81B				1.00
40	40044630	AIRCYLINDER SENSOR CN82B				1.00
41	PA2001701A0	AIR CYLINDER				2.00
42	PC010508000	SPEED CONTROLLER				12.00
43	40044841	FOLDING_PLATE_CYLINDER_L				1.00
44	40035101	FOLDING_PLATE_CYLINDER_R				1.00
45	PA1202501A0	AIR CYLINDER				2.00
46	PA1603503A0	AIR CYLINDER				2.00
47	PJ230004200	UNION				3.00
48	18035006	CABLE MARK NO.1				2.00
49	18035105	WIRE MARK (2)				2.00
50	18035204	WIRE MARK (3)				6.00



51	18035303	WIRE MARK (4)				2.00
52	18035402	WIRE MARK (5)				2.00
53	18035501	WIRE MARK (6)				2.00
54	18035600	WIRE MARK (7)				1.00
55	18035709	WIRE MARK (8)				2.00
56	18035808	WIRE MARK (9)				2.00
57	18035907	WIRE MARK (10)				2.00
58	18036004	WIRE MARK (11)				2.00
59	18036103	WIRE MARK (12)				6.00
60	18036301	WIRE MARK (14)				2.00
61	18036400	WIRE MARK (15)				2.00
62	18036509	WIRE MARK (16)				2.00
63	18036608	WIRE MARK (17)				2.00
64	18036707	WIRE MARK (18)				2.00
65	18036806	WIRE MARK (19)				2.00
66	18036905	WIRE MARK (20)				2.00
67	18037002	WIRE MARK (21)				2.00
68	18037101	WIRE MARK (22)				2.00
69	18037200	WIRE MARK (23)				2.00
70	18037309	WIRE MARK (24)				2.00
71	18037408	WIRE MARK (25)				2.00
72	18038000	WIRE MARK (31)				2.00
73	18038109	WIRE MARK (32)				2.00
74	18038307	WIRE MARK (34)				6.00
75	18038802	WIRE MARK (39)				2.00
76	18038901	WIRE MARK (40)				3.00
77	18039008	WIRE MARK (41)				2.00
78	18039107	WIRE MARK (42)				6.00
79	18039305	WIRE MARK (44)				2.00
80	18039404	WIRE MARK (45)				2.00
81	PV150104000	5-PORT SOKENOID VALVE				12.00
82	40044631	AIRCYLINDER SENSOR CN283				9.00
83	PV920004000	BLANKING PLATE ASM.				3.00
84	BT0400251EB	URETHANE HOSE BLACK				1.00
85	BT0600400EC	TUBE HOSE BLUE				1.00



# HOW TO MAKE USE OF THIS PARTS LIST

## 1.Explanation of codes

1)"\*"mark.....means this part is changed from the previous parts book.

As to the details of the change, refer to the "List for information of change".

2)"#01".....refer to "Note" explanation at bottom of page.

## 2.Codes on the "Qty" column

· Each numeral indicates the number of parts required.

· "0.1" and "2.5" indicate the length (in meters) of the respective parts.

3.Parentheses mean that the corresponding part is a subpart that constructs an assembly part.

4.Dotted lines on the Figures indicate assembly parts.

## 1 ."注記"欄の記号説明

1) "\*"印.....前回のパーツブックに比較して今回変更された部品を意味します。

変更内容は、"変更情報リスト"を参照してください。

2) "#01".....ページ下の"注記"の説明を参照してください。

2 .数量欄の数字は、個数を表し、0.1、2.5等の数値は、長さ（単位メートル）を表します。

3 .数量欄の（ ）は、組部品を構成している子部品であることを意味します。

4 .イラストページの-----枠は、組構成であることを意味します。